



**McGuire Manufacturing Co., Inc.**

60 Grandview Court  
 Cheshire, Connecticut 06410  
 (203) 699-1801 Fax (203) 699-1813  
 customerservice@mcguiremfg.com mcguiremfg.com

**PRODUCT SPECIFICATION**

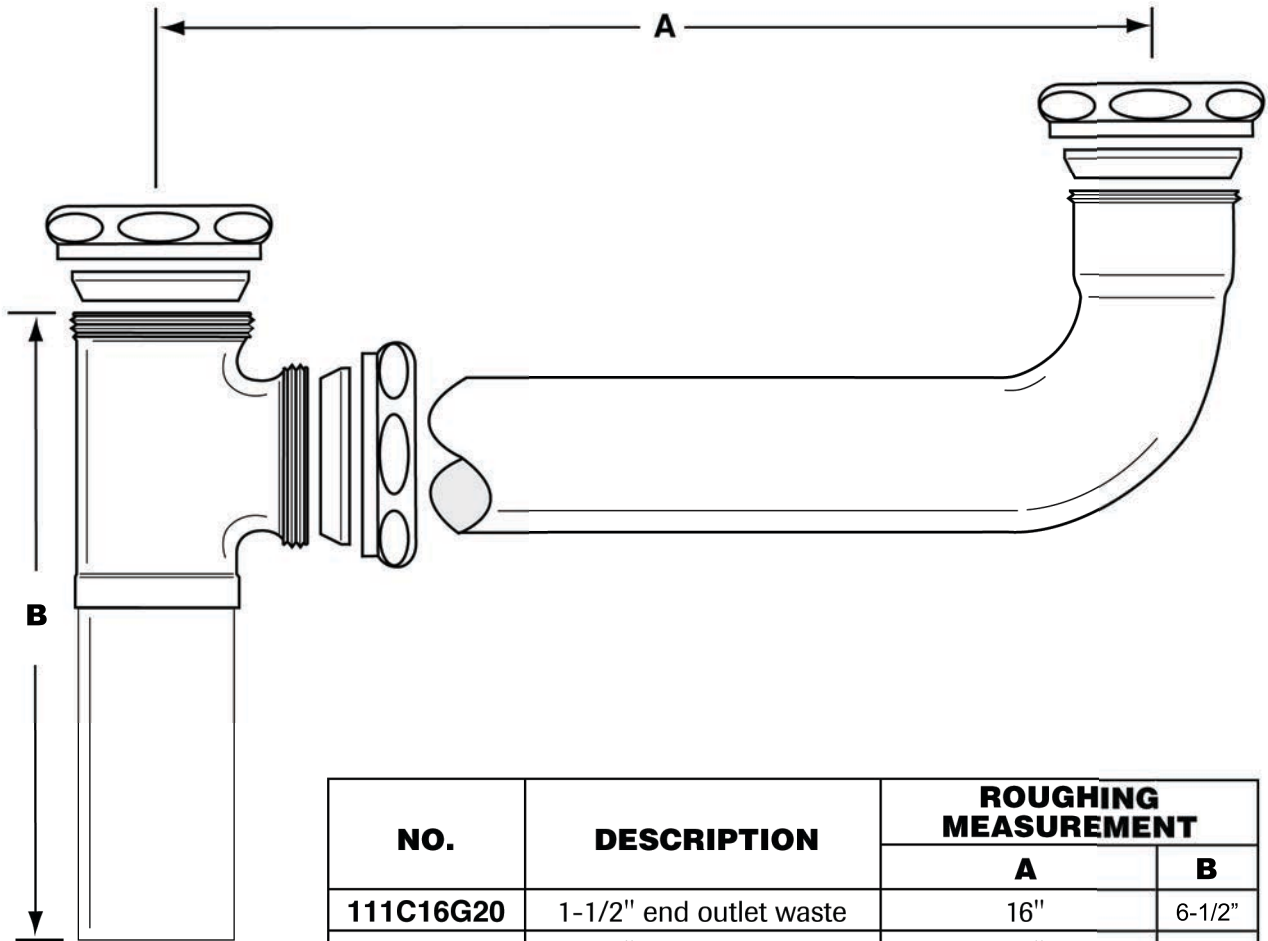
**Part No.**

111C16G20, 111C16G17, 111C21G20,  
 111C21G17, 111C25G20, 111C25G17

**End Outlet  
 Continuous Waste**

**Job Name:**

**Submittal Number:**



NO.	DESCRIPTION	ROUGHING MEASUREMENT	
		A	B
111C16G20	1-1/2" end outlet waste	16"	6-1/2"
111C16G17	1-1/2" end outlet waste	16"	6-1/2"
111C21G20	1-1/2" end outlet waste	21"	6-1/2"
111C21G17	1-1/2" end outlet waste	21"	6-1/2"
111C25G20	1-1/2" end outlet waste	25"	6-1/2"
111C25G17	1-1/2" end outlet waste	25"	6-1/2"



ASME A112.18.2/CSA B125.2

**Specifications:**

End outlet continuous waste with chrome plated satin cast brass tee, chrome plated 17 or 20 gauge seamless brass waste arm, waste tailpiece and cast brass nuts.



**WARNING:**

This product can expose you to chemicals including lead, which is known to the State of California to cause cancer, and birth defects or other reproductive harm. For more information go to [www.P65Warnings.ca.gov](http://www.P65Warnings.ca.gov).



**McGuire Manufacturing Co., Inc.**

60 Grandview Court  
 Cheshire, Connecticut 06410  
 (203) 699-1801 Fax (203) 699-1813  
 customerservice@mcguiremfg.com mcguiremfg.com

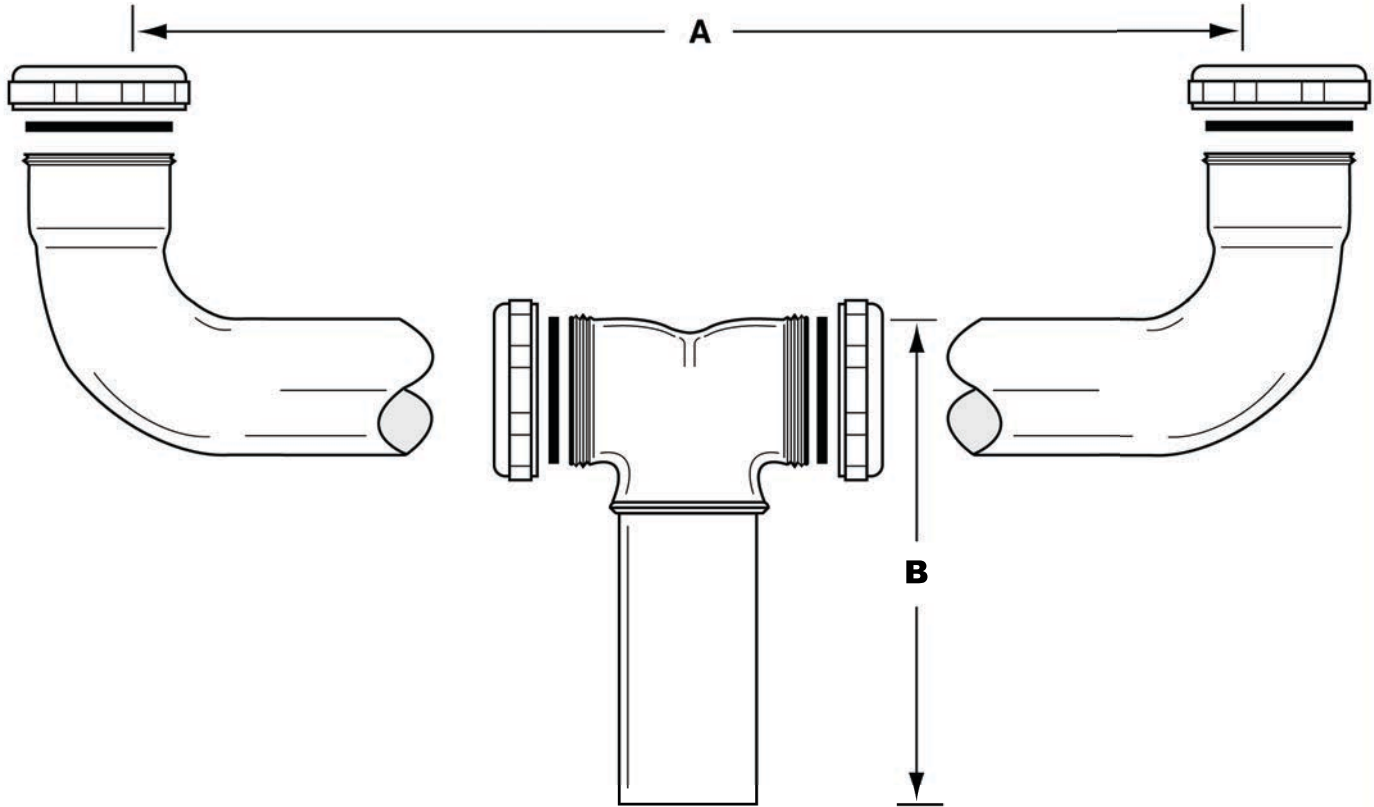
**Part No.**  
 113C16G20, 113C16G17, 113C21G20,  
 113C21G17, 113C25G20, 113C25G17

**Center Outlet  
 Continuous Waste**

**PRODUCT SPECIFICATION**

**Job Name:**

**Submittal Number:**



NO.	DESCRIPTION	ROUGHING MEASUREMENT	
		A	B
113C16G20	1-1/2" center outlet waste	16"	6"
113C16G17	1-1/2" center outlet waste	16"	6"
113C21G20	1-1/2" center outlet waste	21"	6"
113C21G17	1-1/2" center outlet waste	21"	6"
113C25G20	1-1/2" center outlet waste	25"	6"
113C25G17	1-1/2" center outlet waste	25"	6"



See options and accessories section for details on product variations.

ASME A112.18.2/CSA B125.2

**Specifications:**

Center outlet continuous waste with chrome plated satin cast brass tee, chrome plated 17 or 20 gauge seamless brass waste arms, brass tailpiece and nuts.



**WARNING:**

This product can expose you to chemicals including lead, which is known to the State of California to cause cancer, and birth defects or other reproductive harm. For more information go to [www.P65Warnings.ca.gov](http://www.P65Warnings.ca.gov).



**McGuire Manufacturing Co., Inc.**

60 Grandview Court  
 Cheshire, Connecticut 06410  
 (203) 699-1801 Fax (203) 699-1813  
 customerservice@mcguiremfg.com mcguiremfg.com

**PRODUCT SPECIFICATION**

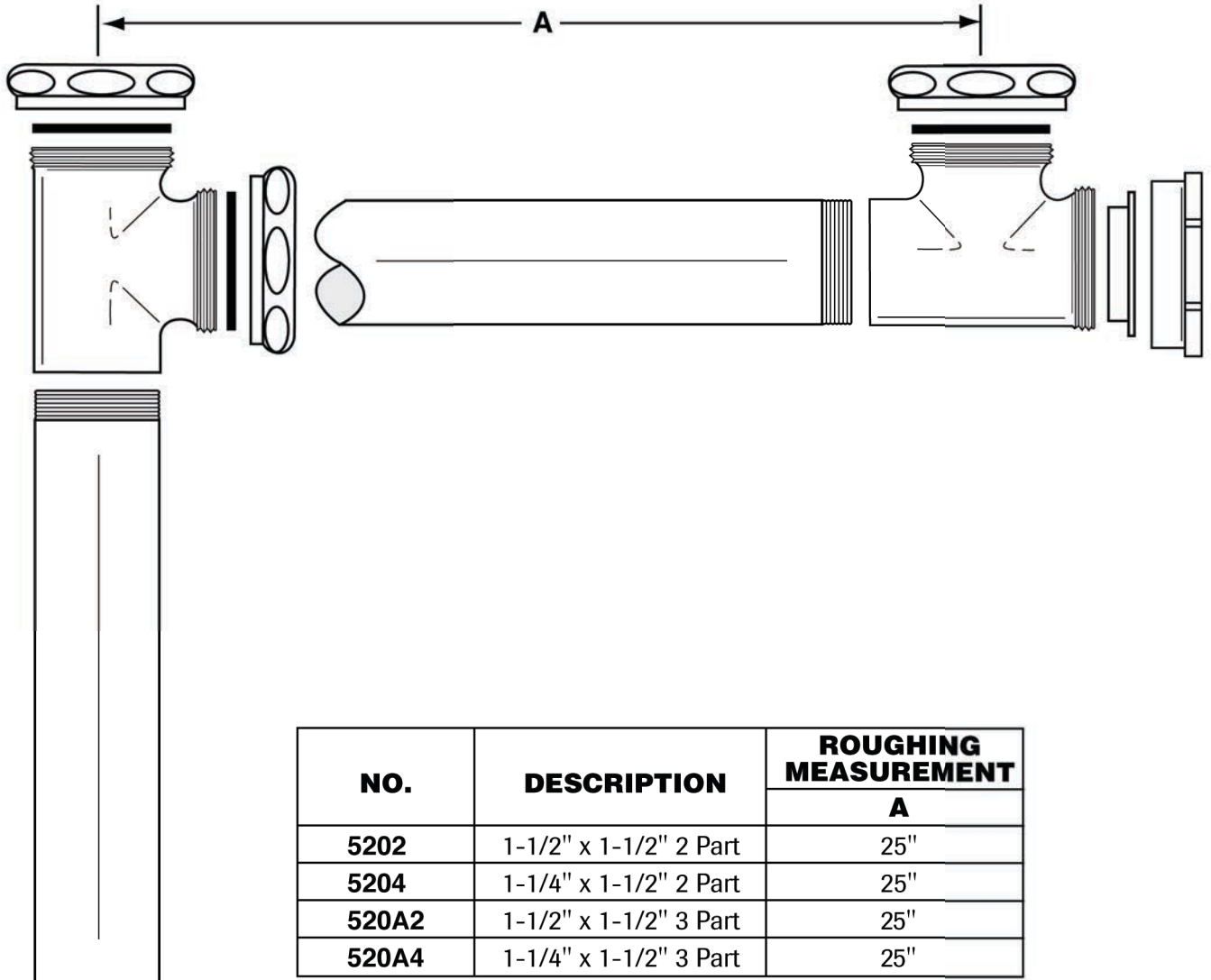
**Part No.**

**5202, 5204, 520A2, 520A4**

**Heavy Duty End Outlet  
 Continuous Waste**

**Job Name:**

**Submittal Number:**



NO.	DESCRIPTION	ROUGHING MEASUREMENT
		A
5202	1-1/2" x 1-1/2" 2 Part	25"
5204	1-1/4" x 1-1/2" 2 Part	25"
520A2	1-1/2" x 1-1/2" 3 Part	25"
520A4	1-1/4" x 1-1/2" 3 Part	25"

See options and accessories section for details on product variations.

**Specifications:**

Heavy Duty End Outlet Continuous Waste with polished chrome plated cast brass tees, 17 gauge brass tubing, cast brass slip nuts and cleanout end caps.

**WARNING:**

This product can expose you to chemicals including lead, which is known to the State of California to cause cancer, and birth defects or other reproductive harm. For more information go to [www.P65Warnings.ca.gov](http://www.P65Warnings.ca.gov).



**McGuire Manufacturing Co., Inc.**

60 Grandview Court  
 Cheshire, Connecticut 06410  
 (203) 699-1801 Fax (203) 699-1813  
 customerservice@mcguiremfg.com mcguiremfg.com

**PRODUCT SPECIFICATION**

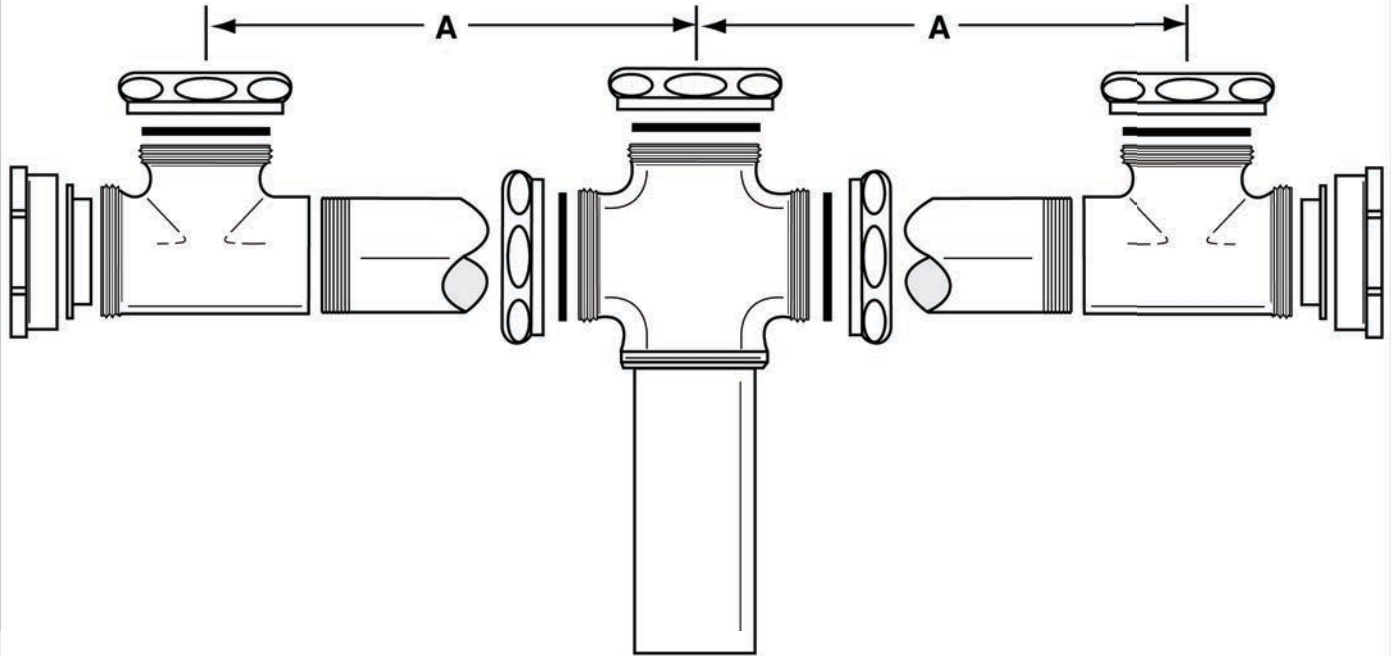
**Part No.**

**5212, 5214**

**Heavy Duty Center Outlet  
 Continuous Waste**

**Job Name:**

**Submittal Number:**



NO.	DESCRIPTION	ROUGHING MEASUREMENT
		A
5212	1-1/2" x 1-1/2" 3 Part 25" Center	25"
5214	1-1/4" Inlet x 1-1/2" 3 Part 25" Center	25"

See options and accessories section for details on product variations.

**Specifications:**

Heavy Duty Center Outlet Continuous Waste with heavy polished chrome plated cast brass tees, 17 gauge seamless brass tubing, cast brass slip nuts and cleanout end caps.



**WARNING:**

This product can expose you to chemicals including lead, which is known to the State of California to cause cancer, and birth defects or other reproductive harm. For more information go to [www.P65Warnings.ca.gov](http://www.P65Warnings.ca.gov).