



McGuire Manufacturing Co., Inc.
 60 Grandview Court
 P.O. Box 746 • Cheshire, CT 06410
 203-699-1801 • Fax: 203-699-1813
 www.mcguiremfg.com

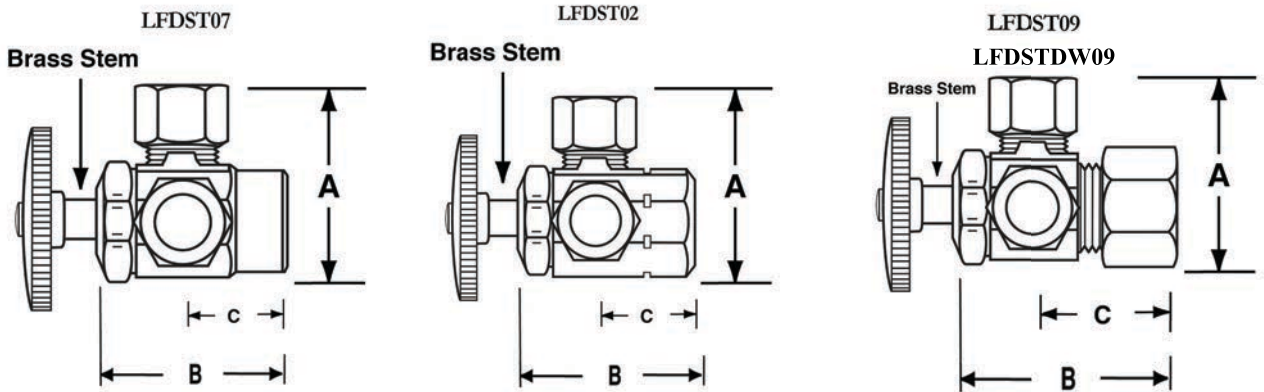
Part No.
LFDST07, LFDST09,
LFDST02, LFDSTDW09
Dual Outlet Supply Stops

PRODUCT SPECIFICATION

Job Name: _____

Submittal Number: _____

**Sweat x Compression
 Pipe x Compression
 Compression x Compression**



| NO. | DESCRIPTION | ROUGHING MEASUREMENTS | | |
|-----------|--------------------------------------|-----------------------|--------|--------|
| | | A | B | C |
| LFDST07 | 1/2" Copper Swt x 3/8" OD x 3/8 OD | 1" | 1-3/8" | 3/4" |
| LFDST02 | 1/2" IPS x 3/8" OD x 3/8" OD | 1" | 1-1/2" | 3/4" |
| LFDST09 | 1/2" Compression x 3/8" OD x 3/8" OD | 1" | 1-1/2" | 1-1/8" |
| LFDSTDW09 | 1/2" Compression x 3/8" OD x 1/4" OD | 1" | 1-3/4" | 1-1/8" |



ASME A112.18.1-2012

Specifications:

Chrome plated brass, supply stop valve with full turn brass stem. Inlet shall be 1/2 inch (sweat, IPS, compression.) Outlets shall be (3/8 or 1/4" inch) compression. Supply stop valve shall be McGuire _____. Supply stop valve shall be recognized by testing authority and bear manufacturer and testing mark.



WARNING:

This product can expose you to chemicals including lead, which is known to the State of California to cause cancer, and birth defects or other reproductive harm. For more information go to www.P65Warnings.ca.gov.



McGuire Manufacturing Co., Inc.

60 Grandview Court

Cheshire, Connecticut 06410

(203) 699-1801 Fax (203) 699-1813

customerservice@mcguiremfg.com mcguiremfg.com

PRODUCT SPECIFICATION

Part No.

LFBV01, LFBV02

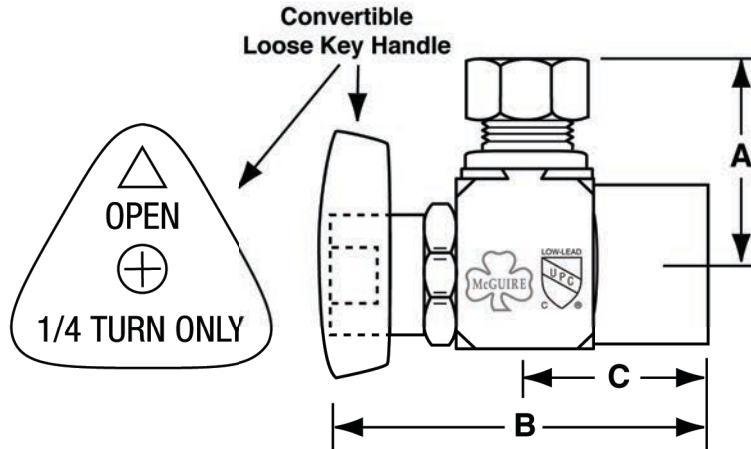
**Quarter-Turn Brass
Ball Valve**

Job Name:

Submittal Number:

Convertible™

Pipe To Compression



| NO. | DESCRIPTION | ROUGHING MEASUREMENTS | | |
|--------|-------------------------|-----------------------|---------|----|
| | | A | B | C |
| LFBV01 | 3/8" I.P.S. x 3/8" O.D. | 1-3/16" | 2-3/16" | 1" |
| LFBV02 | 1/2" I.P.S. x 3/8" O.D. | 1-3/16" | 2-3/16" | 1" |



ASME A112.18.2

Specifications:

Convertible quarter-turn brass ball valve, chrome plated commercial pattern with convertible loose key handle. Inlet shall be (3/8", 1/2") IPS. Outlet shall be (3/8") compression. Supply stop valve shall be McGuire _____. Supply stop valve shall be certified by recognized testing authority and bear manufacturer and testing mark.



WARNING:

This product can expose you to chemicals including lead, which is known to the State of California to cause cancer, and birth defects or other reproductive harm. For more information go to www.P66Warnings.ca.gov.



McGuire Manufacturing Co., Inc.

60 Grandview Court
 Cheshire, Connecticut 06410
 (203) 699-1801 Fax (203) 699-1813
 customerservice@mcguiremfg.com mcguiremfg.com

PRODUCT SPECIFICATION

Part No.

LFBV07

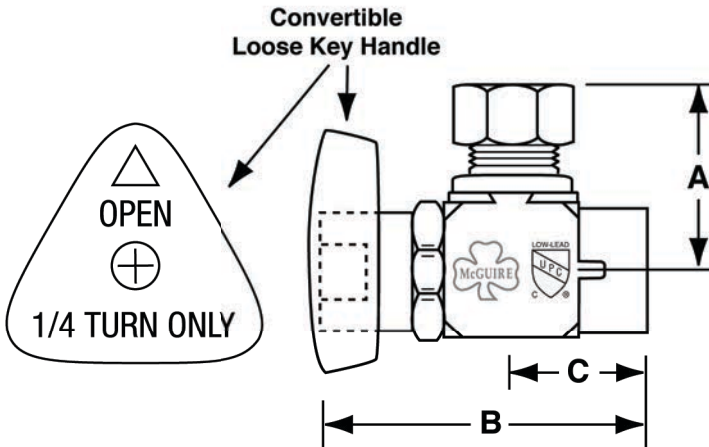
**Quarter-Turn Brass
 Ball Valve**

Job Name:

Submittal Number:

Convertible™

Sweat To Compression



| NO. | DESCRIPTION | ROUGHING MEASUREMENTS | | |
|--------|-------------------------------|-----------------------|--------|--------|
| | | A | B | C |
| LFBV07 | 1/2" Copper Sweat x 3/8" O.D. | 1-3/16" | 2-1/8" | 13/16" |



ASME A112.18.2

Specifications:

Lead free convertible quarter-turn brass ball valve, chrome plated commercial pattern with convertible loose key handle. Inlet shall be (1/2) inch (IPS, sweat, compression). Outlet shall be (3/8) inch (compression). Supply stop valve shall be McGuire _____. Supply stop valve shall be certified by recognized testing authority and bear manufacturer and testing mark.



WARNING:

This product can expose you to chemicals including lead, which is known to the State of California to cause cancer, and birth defects or other reproductive harm. For more information go to www.P65Warnings.ca.gov.



McGuire Manufacturing Co., Inc.

60 Grandview Court
 Cheshire, Connecticut 06410
 (203) 699-1801 Fax (203) 699-1813
 customerservice@mcguiremfg.com mcguiremfg.com

PRODUCT SPECIFICATION

Part No.

LFBV082

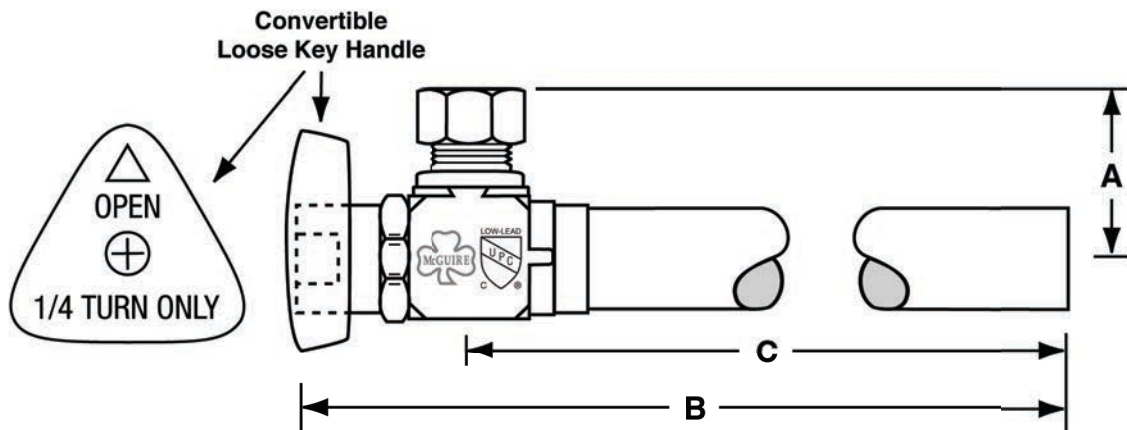
**Quarter-Turn Brass
 Ball Valve**

Job Name:

Submittal Number:

Convertible™

Sweat With 5" Extension To Compression



| NO. | DESCRIPTION | ROUGHING MEASUREMENTS | | |
|---------|-------------------------------|-----------------------|--------|--------|
| | | A | B | C |
| LFBV082 | 1/2" Copper Sweat x 3/8" O.D. | 1-3/16" | 6-3/4" | 5-1/2" |



ASME A112.18.2

Specifications:

Lead free convertible quarter-turn brass ball valve, chrome plated commercial pattern with convertible loose key handle. Inlet shall be (1/2) inch (IPS, sweat, compression). Outlet shall be (3/8) inch (compression). Supply stop valve shall be McGuire _____.
 Supply stop valve shall be certified by recognized testing authority and bear manufacturer and testing mark.



WARNING:

This product can expose you to chemicals including lead, which is known to the State of California to cause cancer, and birth defects or other reproductive harm. For more information go to www.P65Warnings.ca.gov.



McGuire Manufacturing Co., Inc.

60 Grandview Court
 Cheshire, Connecticut 06410
 (203) 699-1801 Fax (203) 699-1813
 customerservice@mcguiremfg.com mcguiremfg.com

PRODUCT SPECIFICATION

Part No.

LFBV09

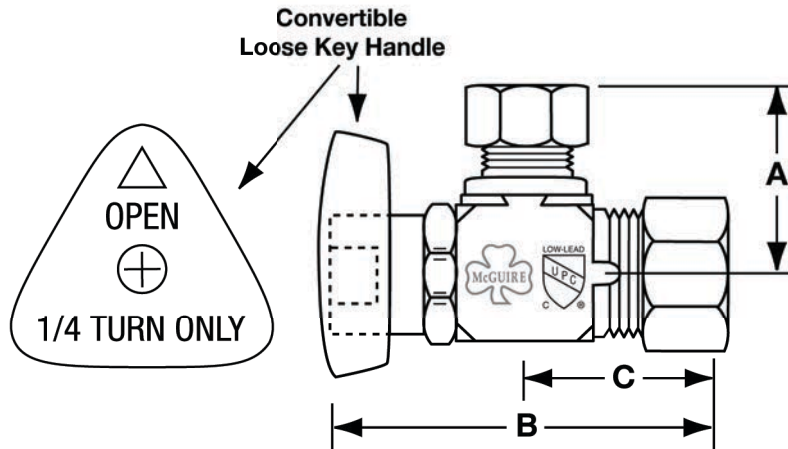
**Quarter-Turn Brass
 Ball Valve**

Job Name:

Submittal Number:

Convertible™

Compression To Compression



| NO. | DESCRIPTION | ROUGHING MEASUREMENTS | | |
|--------|--------------------------|-----------------------|--------|--------|
| | | A | B | C |
| LFBV09 | 1/2" Nominal x 3/8" O.D. | 1-3/16" | 2-1/2" | 1-1/4" |



ASME A112.18.2

Specifications:

Lead free convertible quarter-turn brass ball valve, chrome plated commercial pattern with convertible loose key handle. Inlet shall be (1/2) inch (IPS, sweat, compression). Outlet shall be (3/8) inch (compression). Supply stop valve shall be McGuire _____.
 Supply stop valve shall be certified by recognized testing authority and bear manufacturer and testing mark.



WARNING:

This product can expose you to chemicals including lead, which is known to the State of California to cause cancer, and birth defects or other reproductive harm. For more information go to www.P65Warnings.ca.gov.



McGuire Manufacturing Co., Inc.

60 Grandview Court
 Cheshire, Connecticut 06410
 (203) 699-1801 Fax (203) 699-1813
 customerservice@mcguiremfg.com mcguiremfg.com

PRODUCT SPECIFICATION

Part No.

**LFBV2-01, LFBV2-02,
 LFBV2-03 and LFBV2-04**

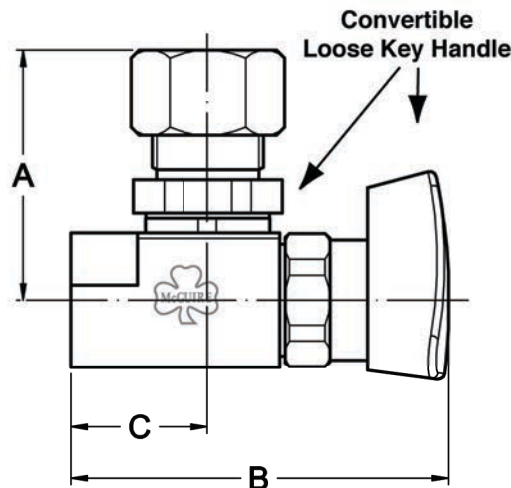
**Quarter-Turn Brass
 Ball Valve**

Job Name:

Submittal Number:

Convertible™ II

Pipe X Compression



| NO. | Part Title | A | B | C |
|----------|---|---------|--------|--------|
| LFBV2-01 | Angle Stop, IPS X OD, Chrome 3/8 IPS x 3/8 OD WH, Lead Free | 1-1/4" | 2-1/4" | 13/16" |
| LFBV2-02 | Angle Stop, IPS X OD, AB1953 1/2 IPS x 3/8 OD WH, Chrome | 1-1/4" | 2-3/8" | 15/16" |
| LFBV2-03 | Angle Stop, IPS X OD, Chrome 3/8 IPS x 1/2 OD WH, Lead Free | 1-5/16" | 2-1/4" | 13/16" |
| LFBV2-04 | Angle Stop, IPS X OD, AB1953 1/2 IPS x 1/2 OD WH, Chrome | 1-5/16" | 2-3/8" | 15/16" |

ASME A112.18.2

Specifications:

Lead free convertible quarter-turn brass ball valve, chrome plated commercial valve with convertible loose key handle. Supply stop valve shall be McGuire _____.
 Supply stop valve shall be certified by recognized testing authority and bear manufacturer and testing mark.

WARNING:

This product can expose you to chemicals including lead, which is known to the State of California to cause cancer, and birth defects or other reproductive harm. For more information go to www.P65Warnings.ca.gov.



McGuire Manufacturing Co., Inc.

60 Grandview Court

Cheshire, Connecticut 06410

(203) 699-1801 Fax (203) 699-1813

customerservice@mcguiremfg.com mcguiremfg.com

PRODUCT SPECIFICATION

Part No.

LFBV2-07 and LFBV2-08

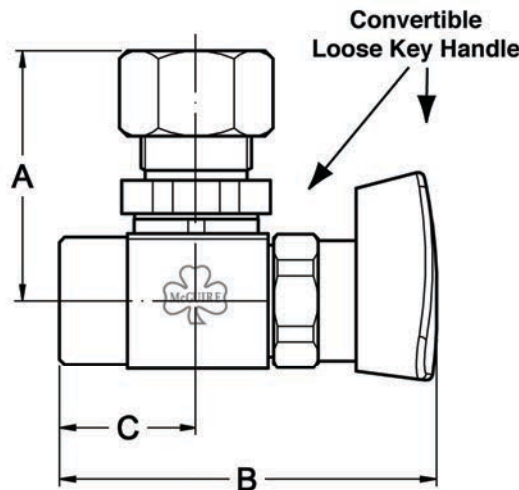
**Quarter-Turn Brass
Ball Valve**

Job Name:

Submittal Number:

Convertible™ II

Sweat x Compression



| Model No. | Description | Roughing Measurements | | |
|-----------|------------------------------------|-----------------------|--------|--------|
| | | A | B | C |
| LFBV2-07 | Angle Stop, 1/2" Nom Swt x 3/8" OD | 1-1/4" | 2-1/4" | 13/16" |
| LFBV2-08 | Angle Stop, 1/2" Nom Swt x 1/2" OD | 1-5/16" | 2-1/4" | 13/16" |



ASME A112.18.2

Specifications:

Lead free convertible quarter-turn brass ball valve, chrome plated commercial valve with convertible loose key handle. Supply stop valve shall be McGuire _____.
Supply stop valve shall be certified by recognized testing authority and bear manufacturer and testing mark.



WARNING:

This product can expose you to chemicals including lead, which is known to the State of California to cause cancer, and birth defects or other reproductive harm. For more information go to www.P65Warnings.ca.gov.



McGuire Manufacturing Co., Inc.

60 Grandview Court
 Cheshire, Connecticut 06410
 (203) 699-1801 Fax (203) 699-1813
 customerservice@mcguiremfg.com mcguiremfg.com

PRODUCT SPECIFICATION

Part No.

LFBV2-09 and LFBV2-10

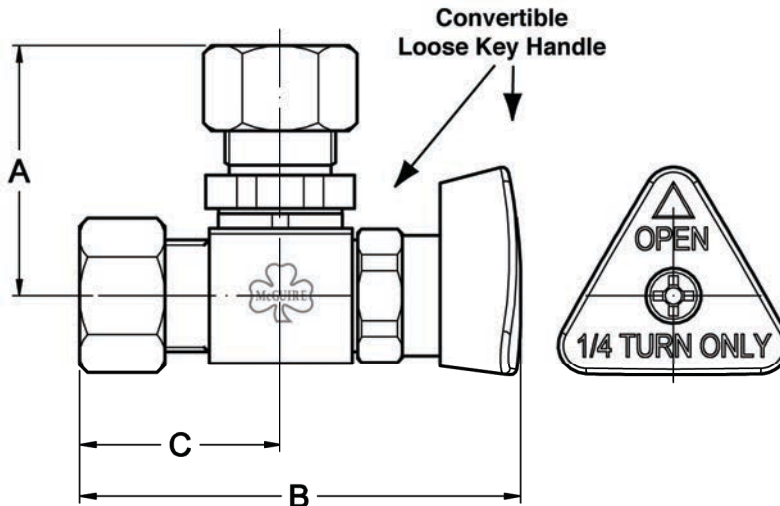
**Quarter-Turn Brass
 Ball Valve**

Job Name:


Submittal Number:

Convertible™ II

Compression X Compression




| NO. | Part Title | A | B | C |
|----------|---|---------|--------|---------|
| LFBV2-09 | Angle Stop, OD x OD, AB1953 1/2 Nom Comp x 3/8 OD WH.CP | 1-1/4" | 2-5/8" | 1-9/16" |
| LFBV2-10 | Angle Stop, 1/2 Nom Comp x 1/2 OD WH Lead Free | 1-5/16" | 2-5/8" | 1-9/16" |
| | | | | |

ASME A112.18.2 

Specifications:

Lead free convertible quarter-turn brass ball valve, chrome plated commercial valve with convertible loose key handle. Supply stop valve shall be McGuire _____.
 Supply stop valve shall be certified by recognized testing authority and bear manufacturer and testing mark.

 **WARNING:**

This product can expose you to chemicals including lead, which is known to the State of California to cause cancer, and birth defects or other reproductive harm. For more information go to www.P65Warnings.ca.gov.



McGuire Manufacturing Co., Inc.

60 Grandview Court
 Cheshire, Connecticut 06410
 (203) 699-1801 Fax (203) 699-1813
 customerservice@mcguiremfg.com mcguiremfg.com

PRODUCT SPECIFICATION

Part No.

**LFBV2-11, LFBV2-12 and
 LFBV2-14**

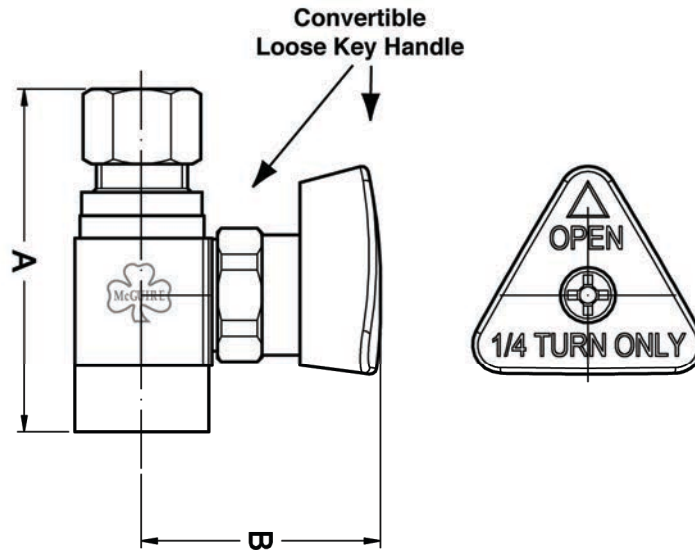
**Quarter-Turn Brass
 Ball Valve**

Job Name:

Submittal Number:

Convertible™ II

Pipe X Compression



| NO. | Part Title | A | B |
|----------|--|--------|---------|
| LFBV2-11 | Straight Stop, IPS x OD Chrome 3/8 IPS x 3/8 OD WH,Lead Free | 1-1/2" | 2" |
| LFBV2-12 | Straight Stop, IPS x OD Chrome 1/2 IPS x 3/8 OD WH,Lead Free | 1-1/2" | 2-1/10" |
| LFBV2-14 | Straight Stop, IPS x OD Chrome 1/2 IPS x 1/2 OD WH,Lead Free | 1-1/2" | 2-1/4" |



ASME A112.18.2 C

Specifications:

Lead free convertible quarter-turn brass ball valve, chrome plated commercial valve with convertible loose key handle. Supply stop valve shall be McGuire _____
 Supply stop valve shall be certified by recognized testing authority and bear manufacturer and testing mark.



WARNING:

This product can expose you to chemicals including lead, which is known to the State of California to cause cancer, and birth defects or other reproductive harm. For more information go to www.P65Warnings.ca.gov.



McGuire Manufacturing Co., Inc.

60 Grandview Court
 Cheshire, Connecticut 06410
 (203) 699-1801 Fax (203) 699-1813
 customerservice@mcguiremfg.com mcguiremfg.com

PRODUCT SPECIFICATION

Part No.

LFBV2-16 and LFBV2-19

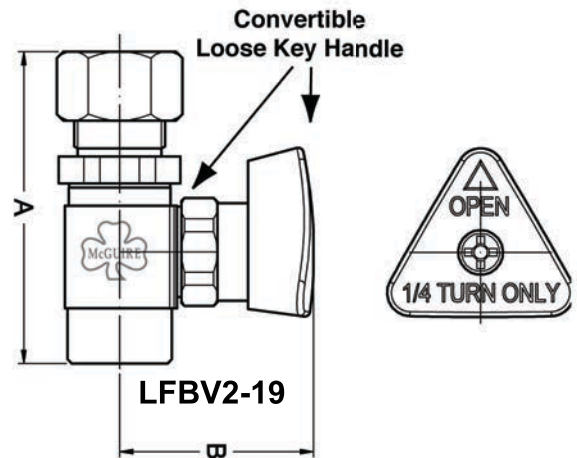
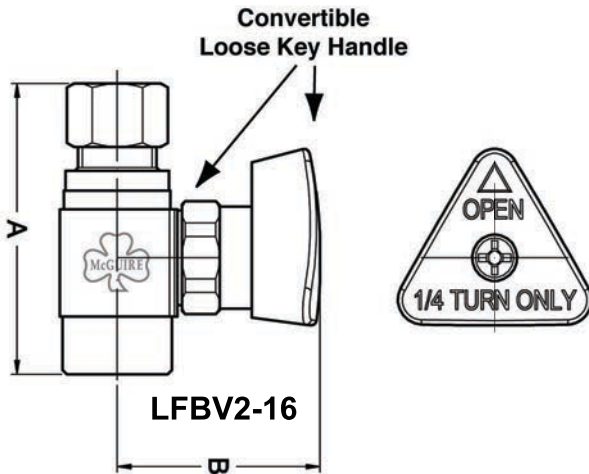
**Quarter-Turn Brass
 Ball Valve**

Job Name:

Submittal Number:

Convertible™ II

Sweat x Compression



| NO. | Part Title | A | B |
|----------|---|--------|----|
| LFBV2-16 | Straight Stop, 1/2 Nom Sweat x 3/8 OD WH Chrome Lead Free | 1-1/2" | 2" |
| | | | |
| | | | |

| NO. | Part Title | A | B |
|----------|---|--------|---------|
| LFBV2-19 | Straight Stop, 1/2 Nom Sweat x 1/2 OD WH CP Lead Free | 1-1/2" | 2-1/10" |
| | | | |
| | | | |

LOW-LEAD



ASME A112.18.2

Specifications:

Lead free convertible quarter-turn brass ball valve, chrome plated commercial valve with convertible loose key handle. Supply stop valve shall be McGuire _____.
 Supply stop valve shall be certified by recognized testing authority and bear manufacturer and testing mark.



WARNING:

This product can expose you to chemicals including lead, which is known to the State of California to cause cancer, and birth defects or other reproductive harm. For more information go to www.P65Warnings.ca.gov.



McGuire Manufacturing Co., Inc.

60 Grandview Court

Cheshire, Connecticut 06410

(203) 699-1801 Fax (203) 699-1813

customerservice@mcguiremfg.com mcguiremfg.com

PRODUCT SPECIFICATION

Part No.

LFBV2-17 and LFBV2-18

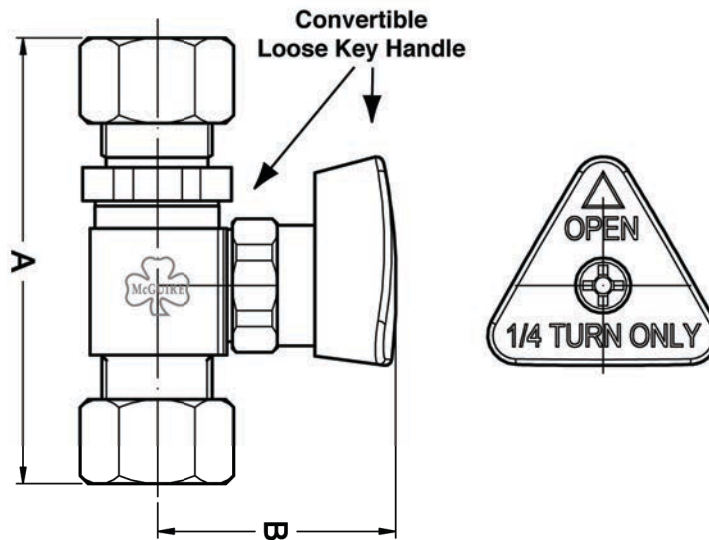
**Quarter-Turn Brass
Ball Valve**

Job Name:

Submittal Number:

Convertible™ II

Compression X Compression



| NO. | Part Title | A | B |
|----------|--|--------|--------|
| LFBV2-17 | Straight Stop, 1/2 Nom Comp x 3/8 OD CP ,Lead Free | 1-1/2" | 2-1/2" |
| LFBV2-18 | Straight Stop, 1/2 Nom Comp x 1/2 OD CP ,Lead Free | 1-1/2" | 2-1/2" |
| | | | |
| | | | |



ASME A112.18.2 C

Specifications:

Lead free convertible quarter-turn brass ball valve, chrome plated commercial valve with convertible loose key handle. Supply stop valve shall be McGuire _____.
Supply stop valve shall be certified by recognized testing authority and bear manufacturer and testing mark.



WARNING:

This product can expose you to chemicals including lead, which is known to the State of California to cause cancer, and birth defects or other reproductive harm. For more information go to www.P65Warnings.ca.gov.



McGuire Manufacturing Co., Inc.

60 Grandview Court

Cheshire, Connecticut 06410

(203) 699-1801 Fax (203) 699-1813

customerservice@mcguiremfg.com mcguiremfg.com

PRODUCT SPECIFICATION

Part No.

LFBV2-182

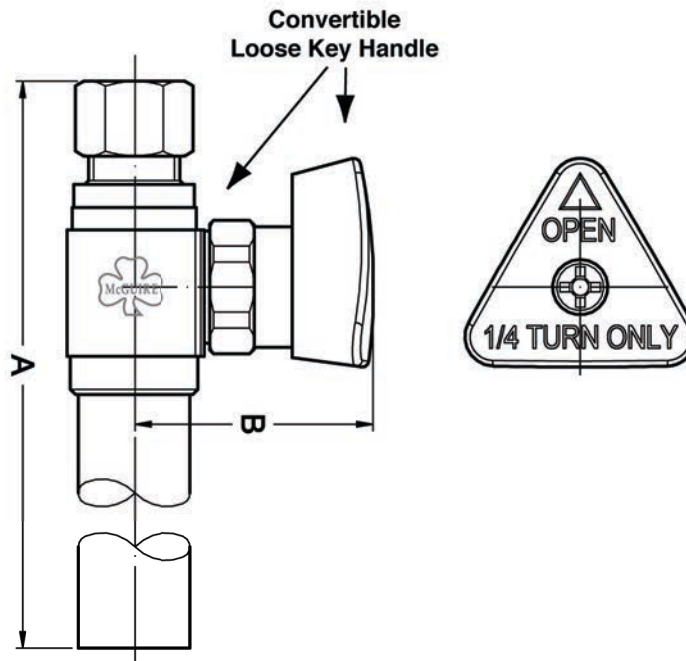
**Quarter-Turn Brass
Ball Valve**

Job Name:

Submittal Number:

Convertible™ II

Compression X Compression



| NO. | Part Title | A | B |
|-----------|---|--------|--------|
| LFBV2-182 | Straight Stop, Sweat CP 1/2 Nom Swt w/5" ext x3/8 OD WH Lead Free | 1-1/2" | 6-1/5" |
| | | | |
| | | | |



ASME A112.18.2 C

Specifications:

Lead free convertible quarter-turn brass ball valve, chrome plated commercial valve with convertible loose key handle. Supply stop valve shall be McGuire _____
Supply stop valve shall be certified by recognized testing authority and bear manufacturer and testing mark.



WARNING:

This product can expose you to chemicals including lead, which is known to the State of California to cause cancer, and birth defects or other reproductive harm. For more information go to www.P65Warnings.ca.gov.



McGuire Manufacturing Co., Inc.

60 Grandview Court
 Cheshire, Connecticut 06410
 (203) 699-1801 Fax (203) 699-1813
 customerservice@mcguiremfg.com mcguiremfg.com

PRODUCT SPECIFICATION

Part No.

LFBV2-3X53 and LFBV2-3X55

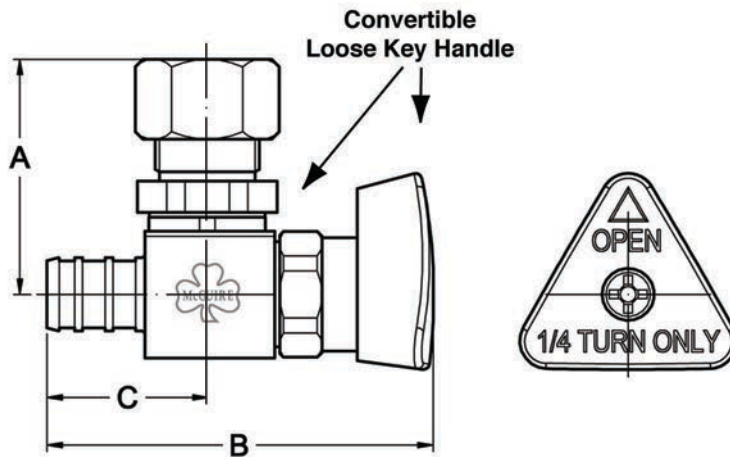
**Quarter-Turn Brass
 Ball Valve**

Job Name:

Submittal Number:

Convertible™ II

PEX-F1807 x Compression



| Model No. | Description | Roughing Measurements | | |
|------------|--------------------------------------|-----------------------|--------|---------|
| | | A | B | C |
| LFBV2-3X53 | Angle Stop, 1/2" PEX-F1807 x 3/8" OD | 1-1/4" | 2-1/2" | 1-1/16" |
| LFBV2-3X55 | Angle Stop, 1/2" PEX-F1807 x 1/2" OD | 1-5/16" | 2-1/2" | 1-1/16" |

ASME A112.18.2

Specifications:

Lead free convertible quarter-turn brass ball valve, chrome plated commercial valve with convertible loose key handle. Supply stop valve shall be McGuire _____. Supply stop valve shall be certified by recognized testing authority and bear manufacturer and testing mark.

! WARNING:

This product can expose you to chemicals including lead, which is known to the State of California to cause cancer, and birth defects or other reproductive harm. For more information go to www.P65Warnings.ca.gov.



McGuire Manufacturing Co., Inc.

60 Grandview Court
 Cheshire, Connecticut 06410
 (203) 699-1801 Fax (203) 699-1813
 customerservice@mcguiremfg.com mcguiremfg.com

PRODUCT SPECIFICATION

Part No.

**LFBV2-3XST53 and
 LFBV2-3XST55**

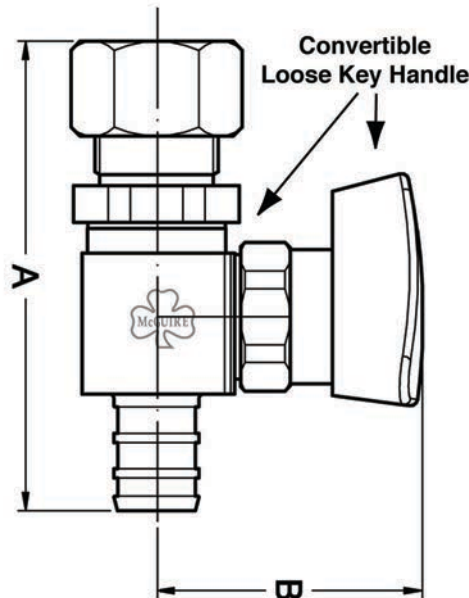
**Quarter-Turn Brass
 Ball Valve**

Job Name:

Submittal Number:

Convertible™ II

PEX-F1807 x Compression



| Model No. | Description | Roughing Measurements | |
|--------------|---|-----------------------|--------|
| | | A | B |
| LFBV2-3XST53 | Straight Stop, 1/2" PEX-F1807 x 3/8" OD | 1-1/2" | 2-4/5" |
| LFBV2-3XST55 | Straight Stop, 1/2" PEX-F1807 x 1/2" OD | 1-1/2" | 3" |



ASME A112.18.2 C

Specifications:

Lead free convertible quarter-turn brass ball valve, chrome plated commercial valve with convertible loose key handle. Supply stop valve shall be McGuire _____
 Supply stop valve shall be certified by recognized testing authority and bear manufacturer and testing mark.



WARNING:

This product can expose you to chemicals including lead, which is known to the State of California to cause cancer, and birth defects or other reproductive harm. For more information go to www.P65Warnings.ca.gov.



McGuire Manufacturing Co., Inc.

60 Grandview Court
 Cheshire, Connecticut 06410
 (203) 699-1801 Fax (203) 699-1813
 customerservice@mcguiremfg.com mcguiremfg.com

PRODUCT SPECIFICATION

Part No.

LFBV2-4P53 and LFBV2-4P55

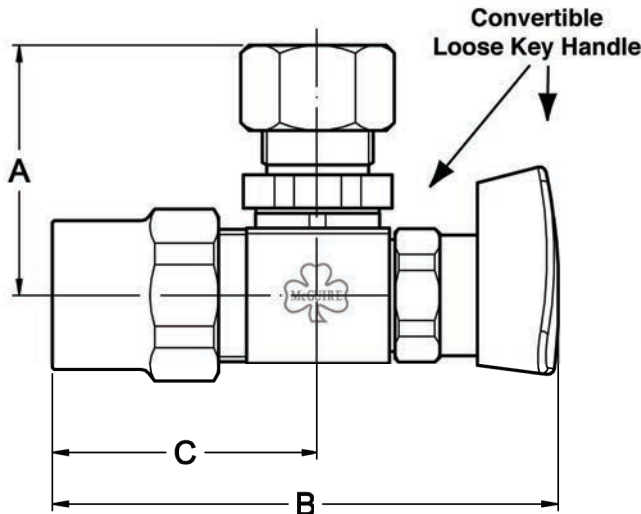
**Quarter-Turn Brass
 Ball Valve**

Job Name:

Submittal Number:

Convertible™ II

CPVC X Compression



| NO. | Part Title | A | B | C |
|------------|-------------------------------|---------|---------|---------|
| LFBV2-4P53 | Angle Stop, 1/2 CPVC X 3/8 OD | 1-1/4" | 3-1/32" | 1-9/16" |
| LFBV2-4P55 | Angle Stop, 1/2 CPVC X 1/2 OD | 1-5/16" | 3-1/32" | 1-9/16" |
| | | | | |



ASME A112.18.2 C

Specifications:

Lead free convertible quarter-turn brass ball valve, chrome plated commercial valve with convertible loose key handle. Supply stop valve shall be McGuire _____.
 Supply stop valve shall be certified by recognized testing authority and bear manufacturer and testing mark.



WARNING:

This product can expose you to chemicals including lead, which is known to the State of California to cause cancer, and birth defects or other reproductive harm. For more information go to www.P65Warnings.ca.gov.



McGuire Manufacturing Co., Inc.

60 Grandview Court
 Cheshire, Connecticut 06410
 (203) 699-1801 Fax (203) 699-1813
 customerservice@mcguiremfg.com mcguiremfg.com

PRODUCT SPECIFICATION

Part No.

**LFBV2-4PST53 and
 LFBV2-4PST55**

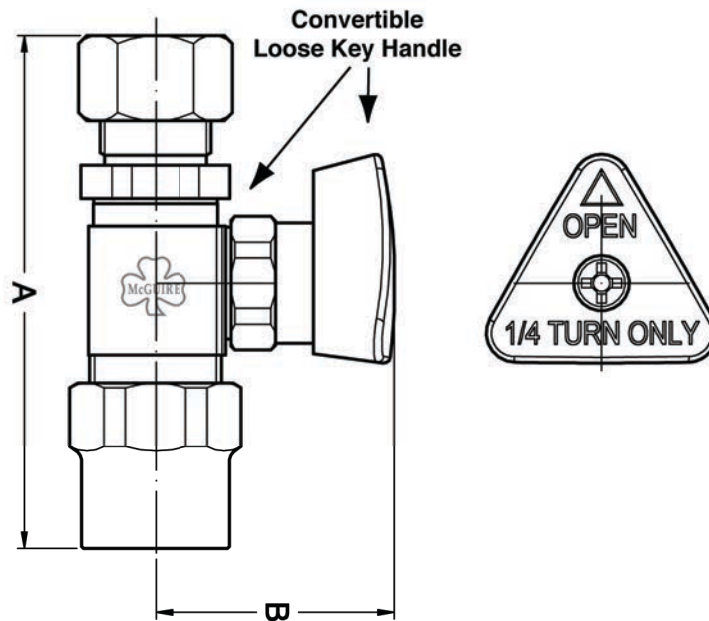
**Quarter-Turn Brass
 Ball Valve**

Job Name:

Submittal Number:

Convertible™ II

CPVC X Compression



| NO. | Part Title | A | B |
|--------------|----------------------------------|--------|--------|
| LFBV2-4PST53 | Straight Stop, 1/2 CPVC X 3/8 OD | 1-1/2" | 2-1/5" |
| LFBV2-4PST55 | Straight Stop, 1/2 CPVC X 1/2 OD | 1-1/2" | 2-2/5" |
| | | | |



ASME A112.18.2 C

Specifications:

Lead free convertible quarter-turn brass ball valve, chrome plated commercial valve with convertible loose key handle. Supply stop valve shall be McGuire _____.
 Supply stop valve shall be certified by recognized testing authority and bear manufacturer and testing mark.



WARNING:

This product can expose you to chemicals including lead, which is known to the State of California to cause cancer, and birth defects or other reproductive harm. For more information go to www.P65Warnings.ca.gov.



McGuire Manufacturing Co., Inc.

60 Grandview Court
 Cheshire, Connecticut 06410
 (203) 699-1801 Fax (203) 699-1813
 customerservice@mcguiremfg.com mcguiremfg.com

PRODUCT SPECIFICATION

Part No.

**LFBV2-6X53 and
 LFBV2-6X55**

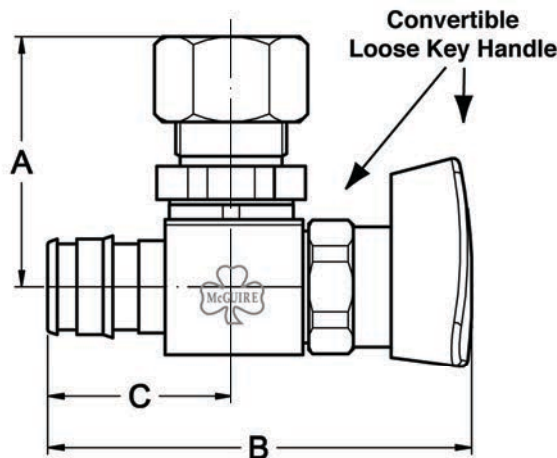
**Quarter-Turn Brass
 Ball Valve**

Job Name:

Submittal Number:

Convertible™ II

PEX-F1960 x Compression



| Model No. | Description | Roughing Measurements | | |
|------------|--------------------------------------|-----------------------|---------|---------|
| | | A | B | C |
| LFBV2-6X53 | Angle Stop, 1/2" PEX-F1960 x 3/8" OD | 1-1/4" | 2-7/16" | 1-5/16" |
| LFBV2-6X55 | Angle Stop, 1/2" PEX-F1960 x 1/2" OD | 1-5/16" | 2-7/16" | 1-5/16" |



ASME A112.18.2

Specifications:

Lead free convertible quarter-turn brass ball valve, chrome plated commercial valve with convertible loose key handle. Supply stop valve shall be McGuire _____.
 Supply stop valve shall be certified by recognized testing authority and bear manufacturer and testing mark.



WARNING:

This product can expose you to chemicals including lead, which is known to the State of California to cause cancer, and birth defects or other reproductive harm. For more information go to www.P65Warnings.ca.gov.



McGuire Manufacturing Co., Inc.

60 Grandview Court
 Cheshire, Connecticut 06410
 (203) 699-1801 Fax (203) 699-1813
 customerservice@mcguiremfg.com mcguiremfg.com

PRODUCT SPECIFICATION

Part No.

LFBV2-082 and LFBV2-084

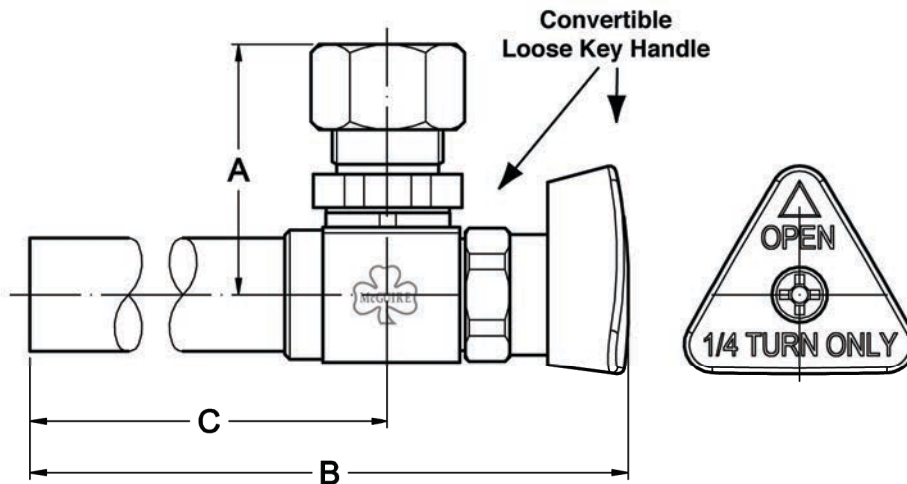
**Quarter-Turn Brass
 Ball Valve**

Job Name:

Submittal Number:

Convertible™ II

Sweat x Compression with Extension



| NO. | Part Title | A | B | C |
|-----------|--|---------|--------|----------|
| LFBV2-082 | Angle Stop, Sweat w/5"Ext 1/2 Swt x 3/8 OD WH Lead Free | 1-1/4" | 5-1/2" | 6-15/16" |
| LFBV2-084 | Angle Stop, Sweat w/5"Ext 1/2 Nom Swt x 1/2 OD WH CP Lead Free | 1-5/16" | 5-1/2" | 6-15/16" |
| | | | | |



ASME A112.18.2

Specifications:

Lead free convertible quarter-turn brass ball valve, chrome plated commercial valve with convertible loose key handle. Supply stop valve shall be McGuire _____. Supply stop valve shall be certified by recognized testing authority and bear manufacturer and testing mark.



WARNING:

This product can expose you to chemicals including lead, which is known to the State of California to cause cancer, and birth defects or other reproductive harm. For more information go to www.P65Warnings.ca.gov.



McGuire Manufacturing Co., Inc.

60 Grandview Court
 Cheshire, Connecticut 06410
 (203) 699-1801 Fax (203) 699-1813
 customerservice@mcguiremfg.com mcguiremfg.com

PRODUCT SPECIFICATION

Part No.

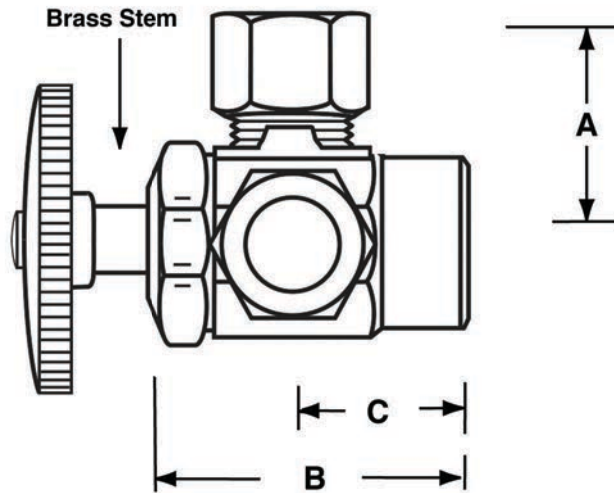
LFDST07

**Dual Outlet Supply Stop
 Copper Sweat x O.D.**

Job Name:

Submittal Number:

Sweat To Compression



| NO. | DESCRIPTION | ROUGHING MEASUREMENTS | | |
|---------|------------------------------------|-----------------------|--------|------|
| | | A | B | C |
| LFDST07 | 1/2" Copper Swt x 3/8" OD x 3/8 OD | 1" | 1-3/8" | 3/4" |



ASME A112.18.2

Specifications:

Chrome plated brass, supply stop valve with full turn brass stem. Inlet shall be 1/2 inch sweat. Outlets shall be 3/8 inch compression. Supply stop valve shall be McGuire _____ . Supply stop valve shall be recognized by testing authority and bear manufacturer and testing mark.



WARNING:

This product can expose you to chemicals including lead, which is known to the State of California to cause cancer, and birth defects or other reproductive harm. For more information go to www.P65Warnings.ca.gov.



McGuire Manufacturing Co., Inc.

60 Grandview Court
 Cheshire, Connecticut 06410
 (203) 699-1801 Fax (203) 699-1813
 customerservice@mcguiremfg.com mcguiremfg.com

PRODUCT SPECIFICATION

Part No.

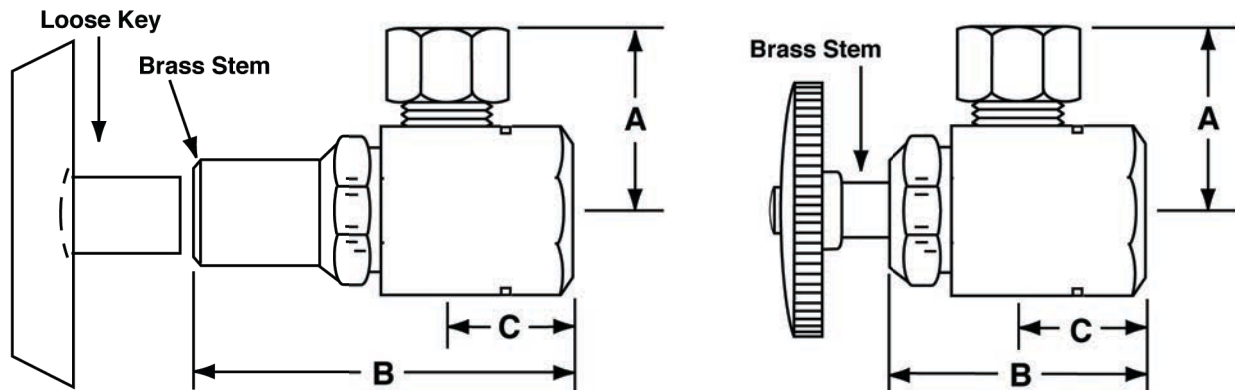
LFHST01, LFHST01LK

Angle Supply Stops

Job Name:

Submittal Number:

Pipe To Compression



| NO. | DESCRIPTION | ROUGHING MEASUREMENTS | | |
|-----------|-------------------------|-----------------------|--------|------|
| | | A | B | C |
| LFHST01 | 3/8" I.P.S. x 3/8" O.D. | 1" | 1-1/2" | 3/4" |
| LFHST01LK | 3/8" I.P.S. x 3/8" O.D. | 1" | 2-1/4" | 3/4" |

LOW-LEAD



ASME A112.18.2

LK designates *Loose Key*

* See options and accessories section for details on product variations.

Specifications:

Chrome plated brass, heavy pattern supply stop valve with full turn brass stem. Inlet shall be 3/8 inch IPS. Outlet shall be 3/8 inch compression. Supply stop shall be McGuire _____.
 Supply stop shall be certified by recognized authority and bear manufacturer and testing mark.



WARNING:

This product can expose you to chemicals including lead, which is known to the State of California to cause cancer, and birth defects or other reproductive harm. For more information go to www.P65Warnings.ca.gov.



McGuire Manufacturing Co., Inc.

60 Grandview Court
 Cheshire, Connecticut 06410
 (203) 699-1801 Fax (203) 699-1813
 customerservice@mcguiremfg.com mcguiremfg.com

Part No.

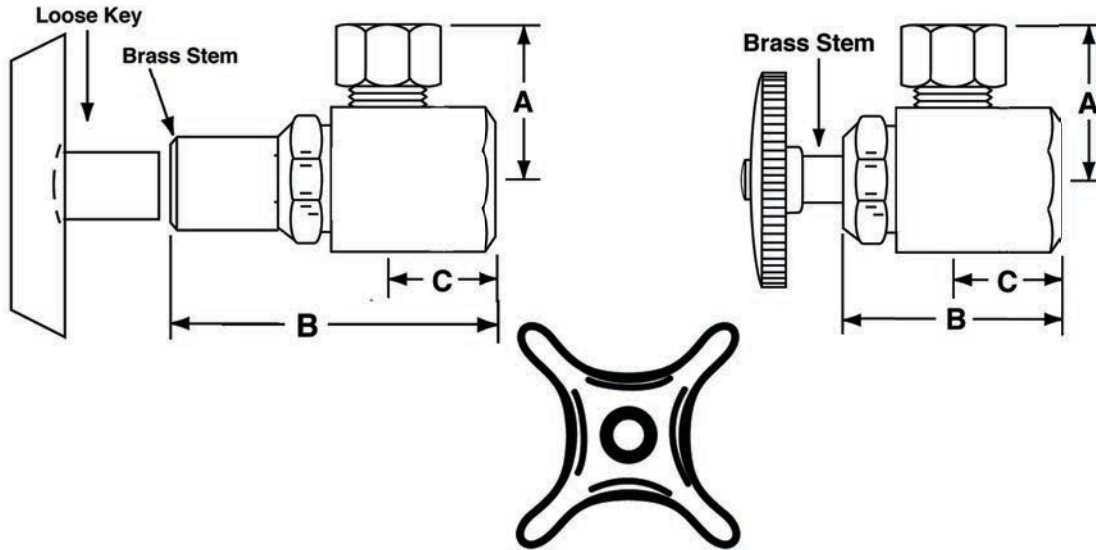
LFHST02, LFHST02LK,
 LFHST03, LFHST03LK,
 LFHST04, LFHST04LK

Heavy Pattern Angle Supply Stop
 IPS x Compression

PRODUCT SPECIFICATION

Job Name:

Submittal Number:



| NO. | DESCRIPTION | ROUGHING MEASUREMENTS | | |
|-----------|----------------------------------|-----------------------|--------|------|
| | | A | B | C |
| LFHST02 | 1/2" IPS x 3/8" OD, Wheel Handle | 1-3/16" | 1-1/2" | 3/4" |
| LFHST02LK | 1/2" IPS x 3/8" OD, Loose Key | 1-3/16" | 2-1/4" | 3/4" |
| LFHST03 | 3/8" IPS x 1/2" OD, Wheel Handle | 1-5/16" | 1-1/2" | 3/4" |
| LFHST03LK | 3/8" IPS x 1/2" OD, Loose Key | 1-5/16" | 2-1/4" | 3/4" |
| LFHST04 | 1/2" IPS x 1/2" OD, Wheel Handle | 1-5/16" | 1-1/2" | 3/4" |
| LFHST04LK | 1/2" IPS x 1/2" OD, Loose Key | 1-5/16" | 2-1/4" | 3/4" |

X designates Cross Handle

LK designates *Loose Key*

See options and accessories section for details on product variations.



ASME A112.18.2

Specifications:

Chrome plated brass supply stop valve with full turn brass stem. Inlet shall be (3/8, 1/2) inch (IPS, sweat, compression). Outlet shall be (3/8, 1/2) inch (IPS, compression). Supply stop valve shall be McGuire _____. Supply stop valve shall be certified or recognized by testing authority and bear manufacturer and testing mark.



WARNING:

This product can expose you to chemicals including lead, which is known to the State of California to cause cancer, and birth defects or other reproductive harm. For more information go to www.P65Warnings.ca.gov.



McGuire Manufacturing Co., Inc.

60 Grandview Court
 Cheshire, Connecticut 06410
 (203) 699-1801 Fax (203) 699-1813
 customerservice@mcguiremfg.com mcguiremfg.com

PRODUCT SPECIFICATION

Part No.

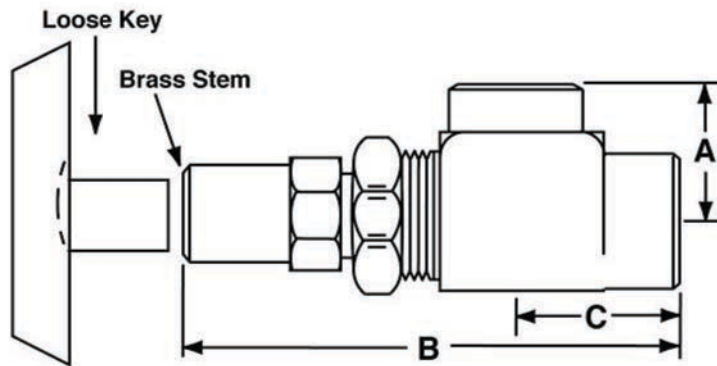
LFHST05SB, LFHST05LKSB,
 LFHST06SB, LFHST06LKSB

Premier Angle Supply Stop
 I.P.S. x I.P.S.

Job Name:

Submittal Number:

Pipe to Pipe with Stuffing Box



| NO. | DESCRIPTION | ROUGHING MEASUREMENTS | | |
|-------------|---------------------------|-----------------------|---------|--------|
| | | A | B | C |
| LFHST05LKSB | 3/8" I.P.S. x 3/8" I.P.S. | 1" | 3-1/16" | 1" |
| LFHST06LKSB | 1/2" I.P.S. x 1/2" I.P.S. | 1" | 3-1/16" | 1-1/8" |
| LFHST05SB | 3/8" I.P.S. x 3/8" I.P.S. | 1" | 3-1/16" | 1" |
| LFHST06SB | 1/2" I.P.S. x 1/2" I.P.S. | 1" | 3-1/16" | 1-1/8" |



ASME A112.18.2

LK designates *Loose Key*

* See options and accessories section for details on product variations.

Specifications:

Chrome plated brass, heavy pattern supply stop valve with full turn brass stem. Inlet shall be (3/8, 1/2 inch) IPS. Outlet shall be (3/8, 1/2) inch IPS. Supply stop shall be McGuire _____ Supply stop shall be certified by recognized authority and bear manufacturer and testing mark.



WARNING:

This product can expose you to chemicals including lead, which is known to the State of California to cause cancer, and birth defects or other reproductive harm. For more information go to www.P65Warnings.ca.gov.



McGuire Manufacturing Co., Inc.

60 Grandview Court
 Cheshire, Connecticut 06410
 (203) 699-1801 Fax (203) 699-1813
 customerservice@mcguiremfg.com mcguiremfg.com

Part No.

LFHST07, LFHST07LK,
 LFHST07X

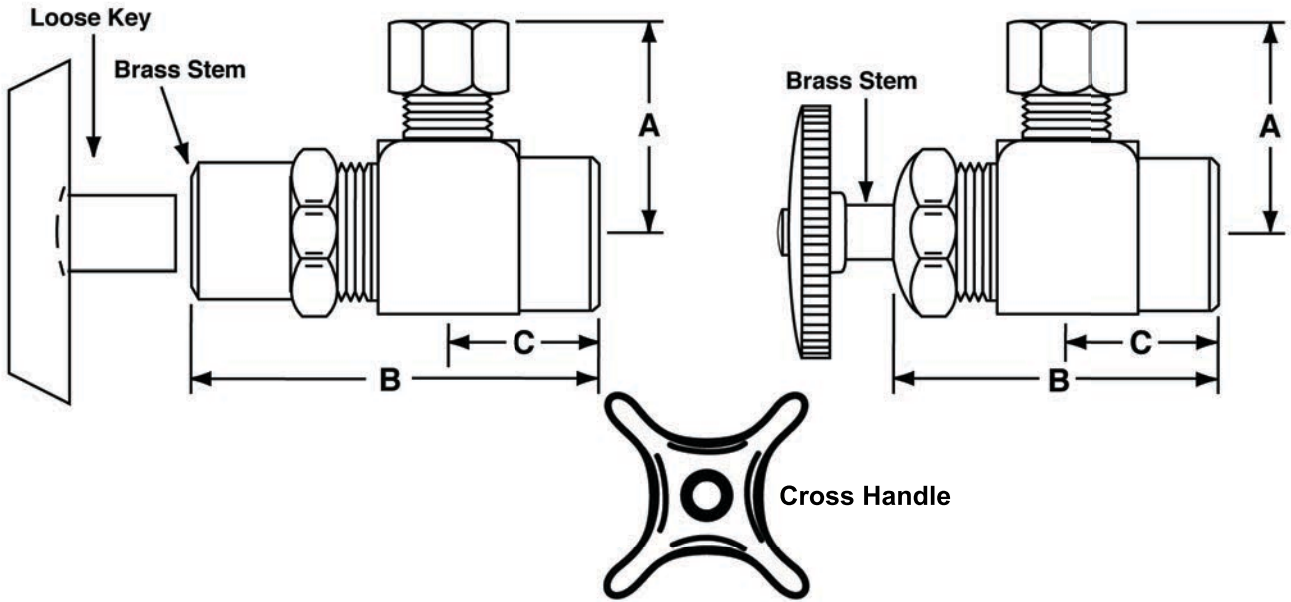
**Premier Angle Supply Stop
 Copper Sweat x O.D.**

PRODUCT SPECIFICATION

Job Name:

Submittal Number:

Sweat to Compression



| NO. | DESCRIPTION | ROUGHING MEASUREMENTS | | |
|-----------|-------------------------------|-----------------------|---------|----|
| | | A | B | C |
| LFHST07 | 1/2" Copper Sweat x 3/8" O.D. | 1-3/8" | 2" | 1" |
| LFHST07LK | 1/2" Copper Sweat x 3/8" O.D. | 1-3/8" | 2-7/16" | 1" |
| LFHST07X | 1/2" Copper Sweat x 3/8" O.D. | 1-3/8" | 2-7/16" | 1" |

X designates Cross Handle

LK designates Loose Key

See options and accessories section for details on product variations.



ASME A112.18.2

Specifications:

Chrome plated brass, heavy pattern supply stop valve with full turn brass stem. Inlet shall be 1/2 inch sweat. Outlet shall be 3/8 inch compression. Supply stop shall be McGuire _____ . Supply stop shall be recognized by authority and bear manufacturer and testing mark.

! WARNING:
 This product can expose you to chemicals including lead, which is known to the State of California to cause cancer, and birth defects or other reproductive harm. For more information go to www.P65Warnings.ca.gov.



McGuire Manufacturing Co., Inc.

60 Grandview Court
 Cheshire, Connecticut 06410
 (203) 699-1801 Fax (203) 699-1813
 customerservice@mcguiremfg.com mcguiremfg.com

PRODUCT SPECIFICATION

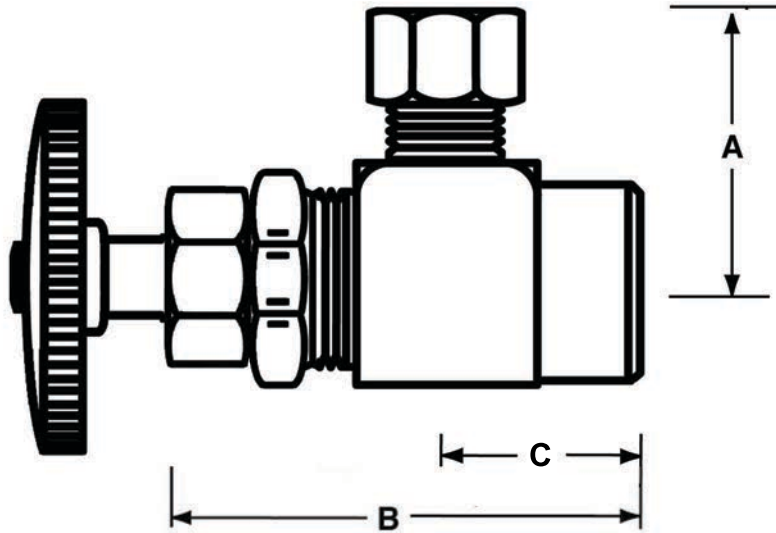
Part No.

LFHST07SB

**Premier Angle Supply Stop
 Copper Sweat x O.D.**

Job Name:

Submittal Number:



| NO. | DESCRIPTION | ROUGHING MEASUREMENTS | | |
|-----------|-------------------------------|-----------------------|--------|----|
| | | A | B | C |
| LFHST07SB | 1/2" Copper Sweat x 3/8" O.D. | 1-3/8" | 2-1/4" | 1" |



ASME A112.18.2

Specifications:

Chrome plated brass, heavy pattern supply stop valve with full turn brass stem with stuffing box. Inlet shall be 1/2 inch sweat. Outlet shall be 3/8 inch compression. Supply stop shall be McGuire _____ . Supply stop shall be recognized by authority and bear manufacturer and testing mark.



WARNING:

This product can expose you to chemicals including lead, which is known to the State of California to cause cancer, and birth defects or other reproductive harm. For more information go to www.P65Warnings.ca.gov.



McGuire Manufacturing Co., Inc.

60 Grandview Court
 Cheshire, Connecticut 06410
 (203) 699-1801 Fax (203) 699-1813
 customerservice@mcguiremfg.com mcguiremfg.com

PRODUCT SPECIFICATION

Part No.

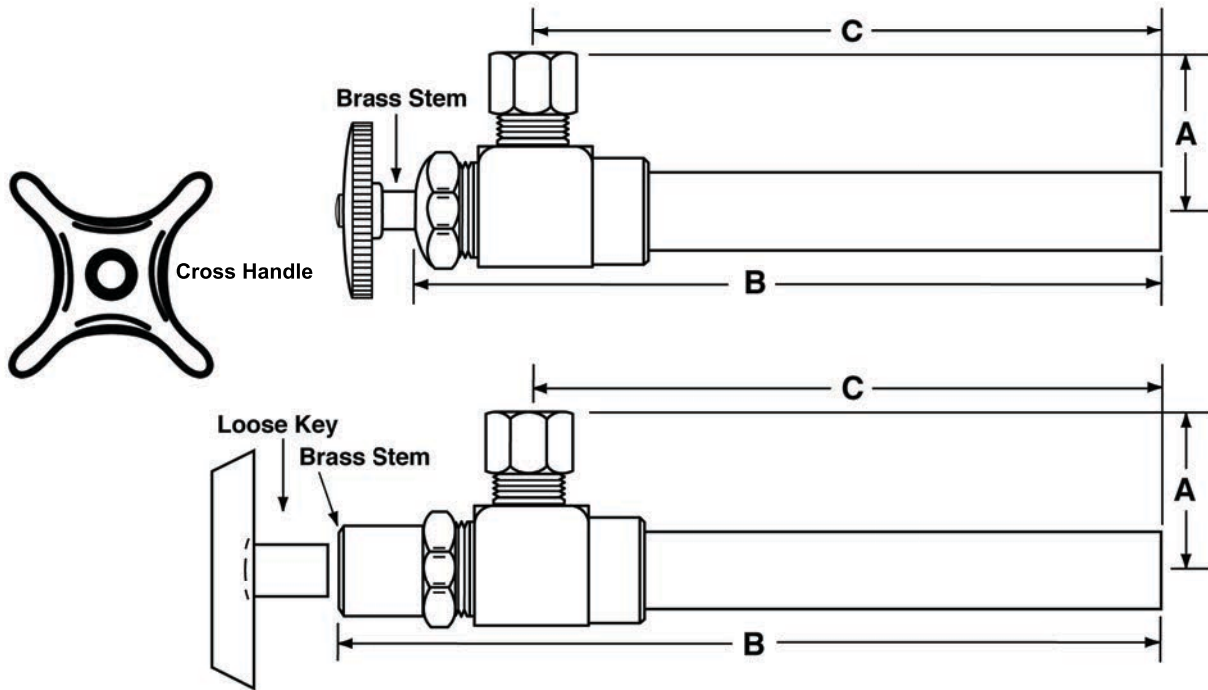
LFHST082, LFHST082LK, LFHST082X,
 LFHST084, LFHST084LK, LFHST084X

**Premiere Angle Supply Stop
 Copper Sweat x O.D.**

Job Name:

Submittal Number:

Sweat with 5" Extension to Compression



| NO. | DESCRIPTION | ROUGHING MEASUREMENTS | | |
|------------|-------------------------------|-----------------------|---------|--------|
| | | A | B | C |
| LFHST082 | 1/2" Copper Sweat x 3/8" O.D. | 1-3/8" | 6-7/8" | 5-3/4" |
| LFHST082LK | 1/2" Copper Sweat x 3/8" O.D. | 1-3/8" | 7-7/16" | 5-3/4" |
| LFHST082X | 1/2" Copper Sweat x 3/8" O.D. | 1-3/8" | 6-7/8" | 5-3/4" |
| LFHST084 | 1/2" Copper Sweat x 3/8" O.D. | 1-3/8" | 6-7/8" | 5-3/4" |
| LFHST084LK | 1/2" Copper Sweat x 3/8" O.D. | 1-3/8" | 7-7/16" | 5-3/4" |
| LFHST084X | 1/2" Copper Sweat x 3/8" O.D. | 1-3/8" | 6-7/8" | 5-3/4" |

X designates Cross Handle
LK designates *Loose Key*

* See options and accessories section for details on product variations.



Specifications:

Chrome plated brass, heavy pattern supply stop valve with full turn brass stem. Inlet shall be 1/2 inch sweat. Outlet shall be 3/8 inch compression. Supply stop shall be McGuire _____ . Supply stop shall be certified by recognized authority and bear manufacturer and testing mark.



WARNING:

This product can expose you to chemicals including lead, which is known to the State of California to cause cancer, and birth defects or other reproductive harm. For more information go to www.P65Warnings.ca.gov.



McGuire Manufacturing Co., Inc.

60 Grandview Court
 Cheshire, Connecticut 06410
 (203) 699-1801 Fax (203) 699-1813
 customerservice@mcguiremfg.com mcguiremfg.com

PRODUCT SPECIFICATION

Part No.

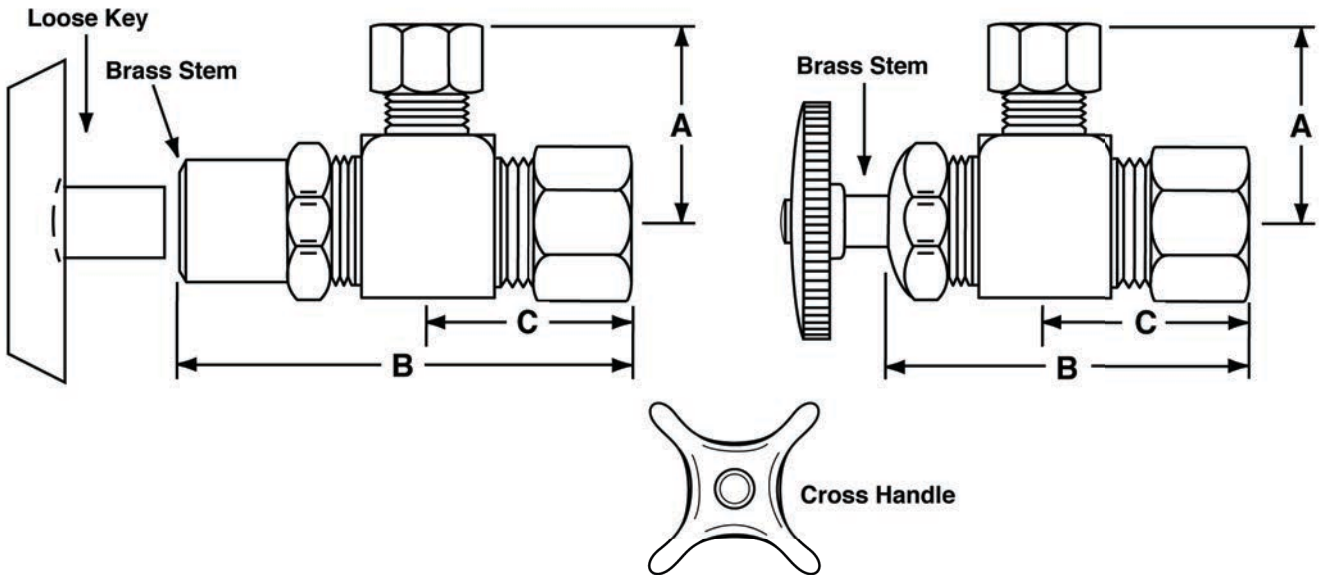
LFHST09, LFHST09LK, LFHST09X,
 LFHST10, LFHST10LK, LFHST10X

**Premier Angle Supply Stop
 Nominal x O.D.**

Job Name:

Submittal Number:

Compression to Compression



| NO. | DESCRIPTION | ROUGHING MEASUREMENTS | | |
|-----------|--------------------------|-----------------------|--------|--------|
| | | A | B | C |
| LFHST09 | 1/2" Nominal x 3/8" O.D. | 1-3/8" | 2-1/4" | 1-3/8" |
| LFHST09LK | 1/2" Nominal x 3/8" O.D. | 1-3/8" | 2-3/4" | 1-3/8" |
| LFHST09X | 1/2" Nominal x 3/8" O.D. | 1-3/8" | 2-1/4" | 1-3/8" |
| LFHST10 | 1/2" Nominal x 1/2" O.D. | 1-1/2" | 2-1/4" | 1-3/8" |
| LFHST10LK | 1/2" Nominal x 1/2" O.D. | 1-1/2" | 2-3/4" | 1-3/8" |
| LFHST10X | 1/2" Nominal x 1/2" O.D. | 1-1/2" | 2-1/4" | 1-3/8" |

LK designates *Loose Key*

X designates *Heavy Brass Cross Handle*

See options and accessories section for details on product variations.



Specifications:

Chrome plated brass, heavy supply stop valve with full turn brass stem. Inlet shall be (3/8, 1/2) inch (IPS, sweat, compression). Outlet shall be (3.8, 1/2) inch (IPS, compression). Supply stop valve shall be McGuire _____. Supply stop valve shall be recognized by testing authority and bear manufacturer and testing mark.

! WARNING:

This product can expose you to chemicals including lead, which is known to the State of California to cause cancer, and birth defects or other reproductive harm. For more information go to www.P65Warnings.ca.gov.



McGuire Manufacturing Co., Inc.

60 Grandview Court
 Cheshire, Connecticut 06410
 (203) 699-1801 Fax (203) 699-1813
 customerservice@mcguiremfg.com mcguiremfg.com

Part No.

LFHST11, LFH11STLK,
 LFHST11X

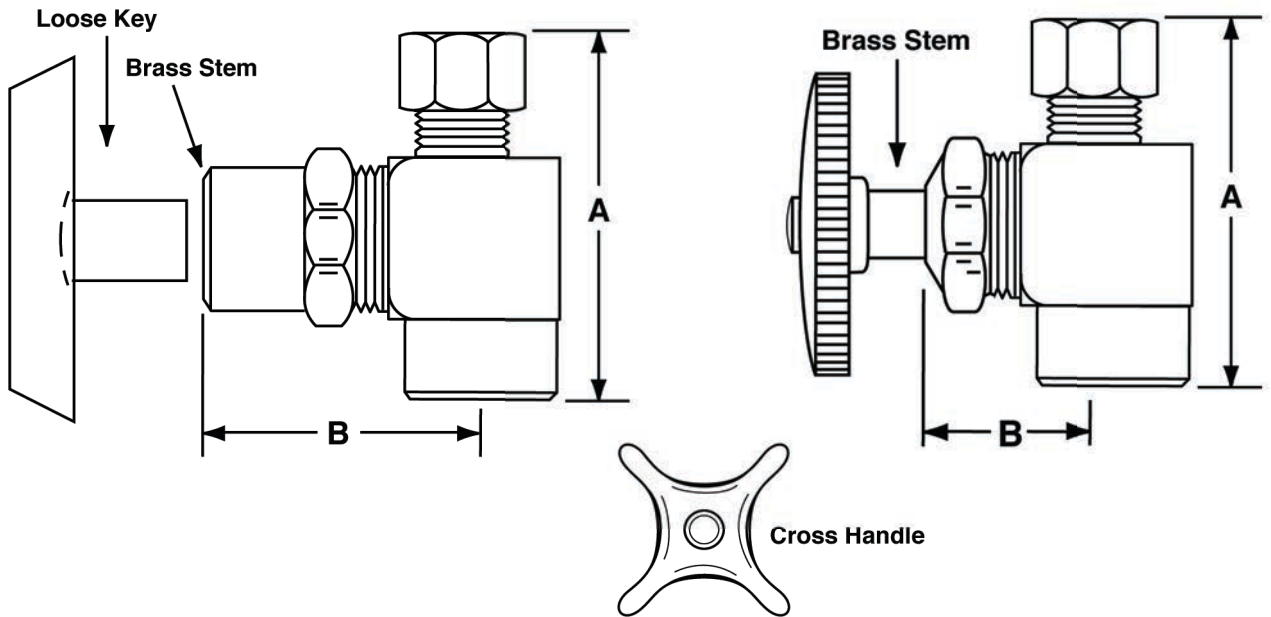
Premier Straight Supply Stop
I.P.S. x O.D.

PRODUCT SPECIFICATION

Job Name:

Submittal Number:

Pipe to Compression



| NO. | DESCRIPTION | ROUGHING MEASUREMENTS | |
|-----------|-------------------------|-----------------------|--------|
| | | A | B |
| LFHST11 | 3/8" I.P.S. x 3/8" O.D. | 2-1/8" | 1-1/2" |
| LFHST11LK | 3/8" I.P.S. x 3/8" O.D. | 2-1/8" | 1-1/2" |
| LFHST11X | 3/8" I.P.S. x 3/8" O.D. | 2-1/8" | 1-1/2" |

LK designates *Loose Key*

See options and accessories section for details on product variations.



ASME A112.18.2

Specifications:

Chrome plated brass, heavy supply stop valve with full turn brass stem. Inlet shall be (3/8, 1/2) inch (IPS, sweat, compression). Outlet shall be (3/8, 1/2) inch (IPS, compression). Supply stop shall be McGuire _____. Supply stop valve shall be certified by recognized testing authority and bear manufacturer and testing mark. Stop to be certified to 200 psi line pressure.



WARNING:

This product can expose you to chemicals including lead, which is known to the State of California to cause cancer, and birth defects or other reproductive harm. For more information go to www.P65Warnings.ca.gov.



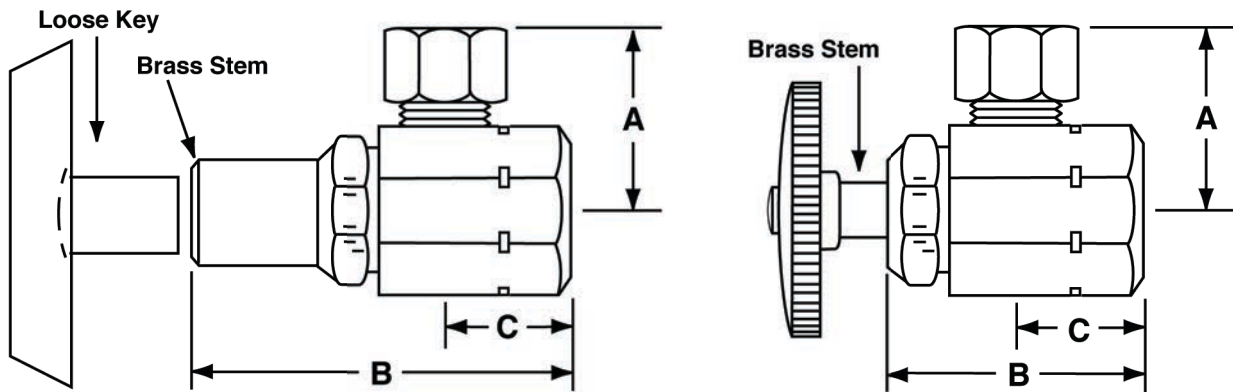
McGuire Manufacturing Co., Inc.
 60 Grandview Court
 Cheshire, Connecticut 06410
 (203) 699-1801 Fax (203) 699-1813
 customerservice@mcguiremfg.com mcguiremfg.com
PRODUCT SPECIFICATION

Part No.
LFST01, LFST01LK
Angle Supply Stops

Job Name:

Submittal Number:

Pipe To Compression



| NO. | DESCRIPTION | ROUGHING MEASUREMENTS | | |
|----------|-------------------------|-----------------------|--------|------|
| | | A | B | C |
| LFST01 | 3/8" I.P.S. x 3/8" O.D. | 1" | 1-1/2" | 3/4" |
| LFST01LK | 3/8" I.P.S. x 3/8" O.D. | 1" | 2-1/4" | 3/4" |



ASME A112.18.2

LK designates *Loose Key*

* See options and accessories section for details on product variations.

Specifications:

Lead free chrome plated brass, supply stop valve with full turn brass stem. Inlet shall be 3/8 inch IPS. Outlet shall be 3/8 inch compression. Supply stop shall be McGuire _____.
 Supply stop shall be certified by recognized authority and bear manufacturer and testing mark.

! WARNING:

This product can expose you to chemicals including lead, which is known to the State of California to cause cancer, and birth defects or other reproductive harm. For more information go to www.P65Warnings.ca.gov.



McGuire Manufacturing Co., Inc.

60 Grandview Court
 Cheshire, Connecticut 06410
 (203) 699-1801 Fax (203) 699-1813
 customerservice@mcguiremfg.com mcguiremfg.com

Part No.

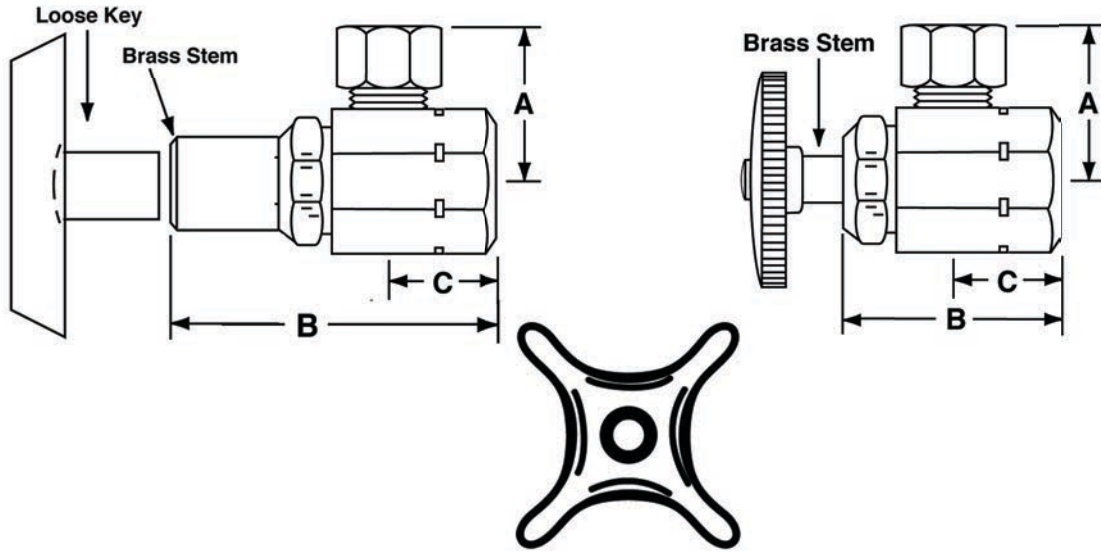
LFST02, LFST02LK, LFST03,
 LFST03LK, LFST04, LFST04LK

Angle Supply Stop
 IPS x Compression

PRODUCT SPECIFICATION

Job Name: _____

Submittal Number: _____



| NO. | DESCRIPTION | ROUGHING MEASUREMENTS | | |
|----------|----------------------------------|-----------------------|--------|------|
| | | A | B | C |
| LFST02 | 1/2" IPS x 3/8" OD, Wheel Handle | 1-3/16" | 1-1/2" | 3/4" |
| LFST02LK | 1/2" IPS x 3/8" OD, Loose Key | 1-3/16" | 2-1/4" | 3/4" |
| LFST03 | 3/8" IPS x 1/2" OD, Wheel Handle | 1-5/16" | 1-1/2" | 3/4" |
| LFST03LK | 3/8" IPS x 1/2" OD, Loose Key | 1-5/16" | 2-1/4" | 3/4" |
| LFST04 | 1/2" IPS x 1/2" OD, Wheel Handle | 1-5/16" | 1-1/2" | 3/4" |
| LFST04LK | 1/2" IPS x 1/2" OD, Loose Key | 1-5/16" | 2-1/4" | 3/4" |

X designates Cross Handle

LK designates *Loose Key*

See options and accessories section for details on product variations.



ASME A112.18.2

Specifications:

Chrome plated brass supply stop valve with full turn brass stem. Inlet shall be (3/8, 1/2) inch (IPS, sweat, compression). Outlet shall be (3/8, 1/2) inch (IPS, compression). Supply stop valve shall be McGuire _____. Supply stop valve shall be certified or recognized by testing authority and bear manufacturer and testing mark.

WARNING:

This product can expose you to chemicals including lead, which is known to the State of California to cause cancer, and birth defects or other reproductive harm. For more information go to www.P65Warnings.ca.gov.



McGuire Manufacturing Co., Inc.

60 Grandview Court
 Cheshire, Connecticut 06410
 (203) 699-1801 Fax (203) 699-1813
 customerservice@mcguiremfg.com mcguiremfg.com

PRODUCT SPECIFICATION

Part No.

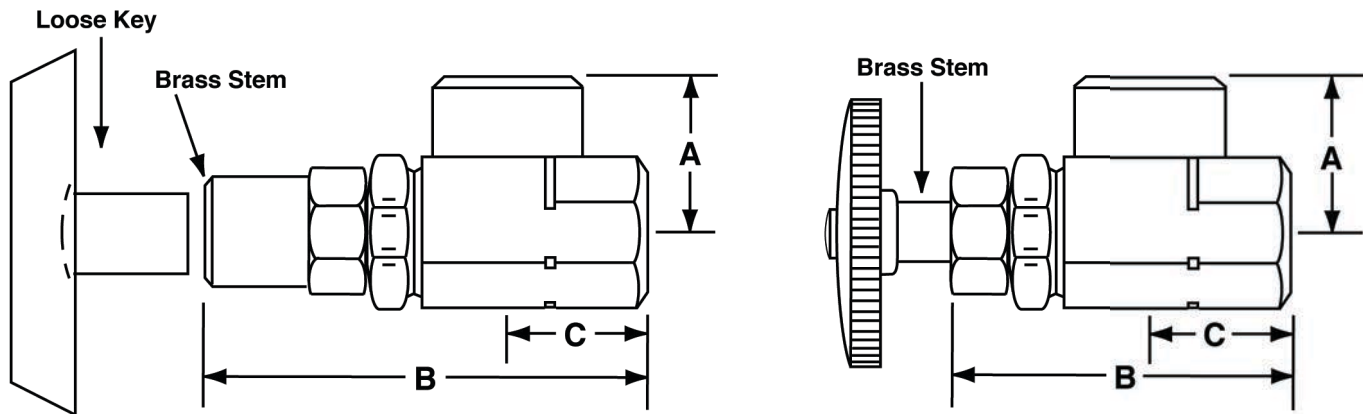
LFST05SB, LFST05SBLK

**Angle Supply Stop
 I.P.S. x I.P.S.**

Job Name:

Submittal Number:

Pipe to Pipe with Stuffing Box



| NO. | DESCRIPTION | ROUGHING MEASUREMENTS | | |
|------------|---------------------------|-----------------------|---------|------|
| | | A | B | C |
| LFST05SB | 3/8" I.P.S. x 3/8" I.P.S. | 7/8" | 2" | 7/8" |
| LFST05SBLK | 3/8" I.P.S. x 3/8" I.P.S. | 7/8" | 2-9/16" | 7/8" |

SB designates *Stuffing Box*

LK designates *Loose Key*

See options and accessories section for details on product variations.



ASME A112.18.2

Specifications:

Lead free chrome plated brass supply stop valve with full turn brass stem. Inlet shall be (3/8, 1/2) inch (IPS, sweat, compression). Outlet shall be (3/8, 1/2) inch (IPS, compression). Supply stop valve shall be McGuire _____. Supply stop valve shall be certified by recognized testing authority and bear manufacturer and testing mark.

WARNING:

This product can expose you to chemicals including lead, which is known to the State of California to cause cancer, and birth defects or other reproductive harm. For more information go to www.P65Warnings.ca.gov.



McGuire Manufacturing Co., Inc.

60 Grandview Court
 Cheshire, Connecticut 06410
 (203) 699-1801 Fax (203) 699-1813
 customerservice@mcguiremfg.com mcguiremfg.com

PRODUCT SPECIFICATION

Part No.

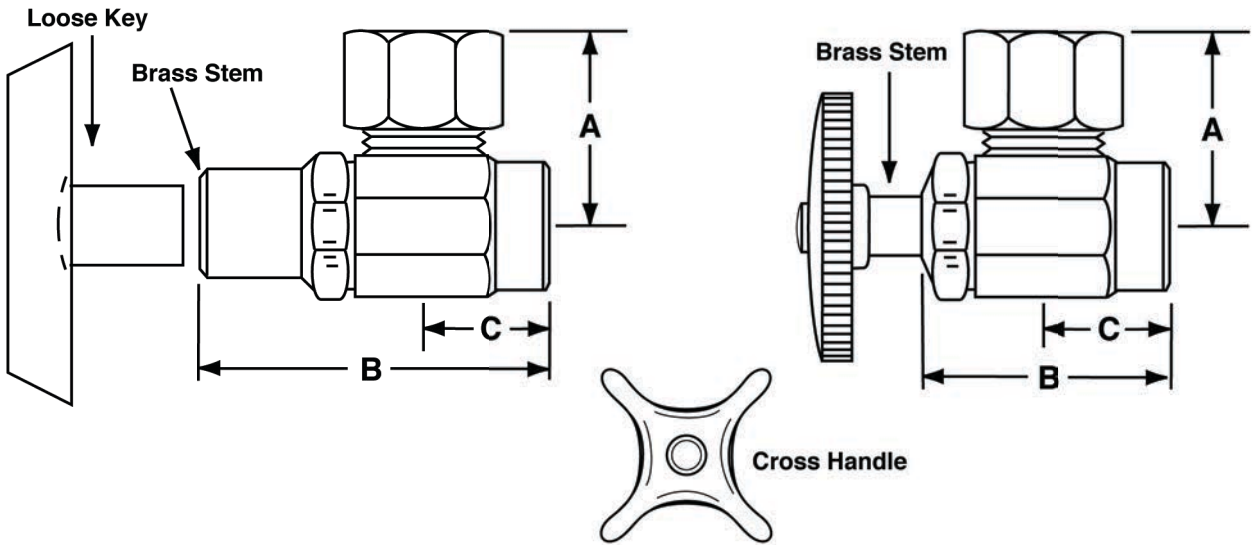
LFST07, LFST07LK, LFST07X,
 LFST08, LFST08LK, LFST08X

**Angle Supply Stop
 Copper Sweat x O.D.**

Job Name:

Submittal Number:

Sweat To Compression



| NO. | DESCRIPTION | ROUGHING MEASUREMENTS | | |
|----------|-------------------------------|-----------------------|--------|--------|
| | | A | B | C |
| LFST07 | 1/2" Copper Sweat x 3/8" O.D. | 1" | 1-1/2" | 3/4" |
| LFST07LK | 1/2" Copper Sweat x 3/8" O.D. | 1" | 2-1/4" | 3/4" |
| LFST07X | 1/2" Copper Sweat x 3/8" O.D. | 1" | 1-1/2" | 3/4" |
| LFST08 | 1/2" Copper Sweat x 1/2" O.D. | 1-1/8" | 1-1/2" | 13/16" |
| LFST08LK | 1/2" Copper Sweat x 1/2" O.D. | 1-1/8" | 2-1/4" | 13/16" |
| LFST08X | 1/2" Copper Sweat x 1/2" O.D. | 1-1/8" | 1-1/2" | 13/16" |

LK designates *Loose Key*

X designates *Heavy Brass Cross Handle*

See options and accessories section for details on product variations.



ASME A112.18.2

Specifications:

Chrome plated brass, supply stop valve with full turn brass stem. Inlet shall be (3/8, 1/2) inch (IPS, sweat, compression). Outlet shall be (3/8, 1/2) inch (IPS, compression). Supply stop valve shall be McGuire _____. Supply stop valve shall be recognized by testing authority and bear manufacturer and testing mark.



WARNING:

This product can expose you to chemicals including lead, which is known to the State of California to cause cancer, and birth defects or other reproductive harm. For more information go to www.P65Warnings.ca.gov.



McGuire Manufacturing Co., Inc.

60 Grandview Court
 Cheshire, Connecticut 06410
 (203) 699-1801 Fax (203) 699-1813
 customerservice@mcguiremfg.com mcguiremfg.com

PRODUCT SPECIFICATION

Part No.

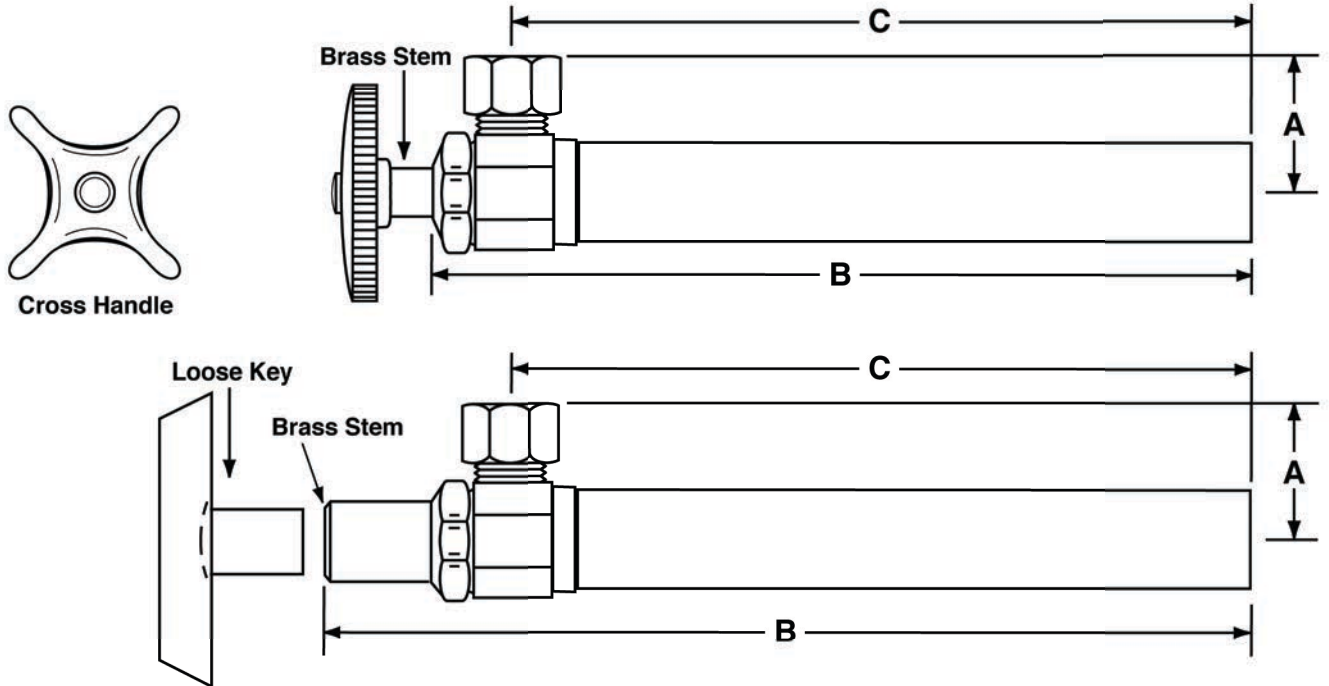
LFST082, LFST082LK, LFST082X,
 LFST084, LFST084LK, LFST084X

**Angle Supply Stop
 Copper Sweat x O.D.**

Job Name:

Submittal Number:

Sweat with 5" Extension To Compression



| NO. | DESCRIPTION | ROUGHING MEASUREMENTS | | |
|-----------|-------------------------------|-----------------------|--------|--------|
| | | A | B | C |
| LFST082 | 1/2" Copper Sweat x 3/8" O.D. | 1" | 6" | 5-1/2" |
| LFST082LK | 1/2" Copper Sweat x 3/8" O.D. | 1" | 6-7/8" | 5-1/2" |
| LFST082X | 1/2" Copper Sweat x 3/8" O.D. | 1" | 6" | 5-1/2" |
| LFST084 | 1/2" Copper Sweat x 1/2" O.D. | 1-3/16" | 6" | 5-1/2" |
| LFST084LK | 1/2" Copper Sweat x 1/2" O.D. | 1-3/16" | 6-7/8" | 5-1/2" |
| LFST084X | 1/2" Copper Sweat x 1/2" O.D. | 1-3/16" | 6" | 5-1/2" |

LK designates *Loose Key*

X designates *Heavy Brass Cross Handle*

See options and accessories section for details on product variations.



ASME A112.18.2

Specifications:

Chrome plated brass, supply stop valve with full turn brass stem. Inlet shall be (3/8, 1/2) inch (IPS, sweat, compression). Outlet shall be (3/8, 1/2) inch (IPS, compression). Supply stop valve shall be McGuire _____ . Supply stop valve shall be certified by recognized authority and bear manufacturer and testing mark.



WARNING:

This product can expose you to chemicals including lead, which is known to the State of California to cause cancer, and birth defects or other reproductive harm. For more information go to www.P65Warnings.ca.gov.



McGuire Manufacturing Co., Inc.

60 Grandview Court
Cheshire, Connecticut 06410
(203) 699-1801 Fax (203) 699-1813
customerservice@mcguiremfg.com mcguiremfg.com

Part No.

LFST09, LFST09LK, LFST09X,
LFST10, LFST10LK, LFST10X

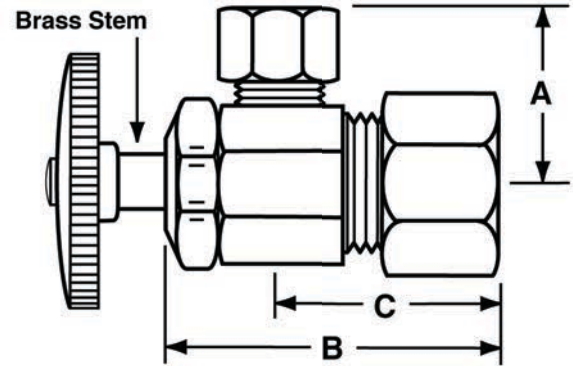
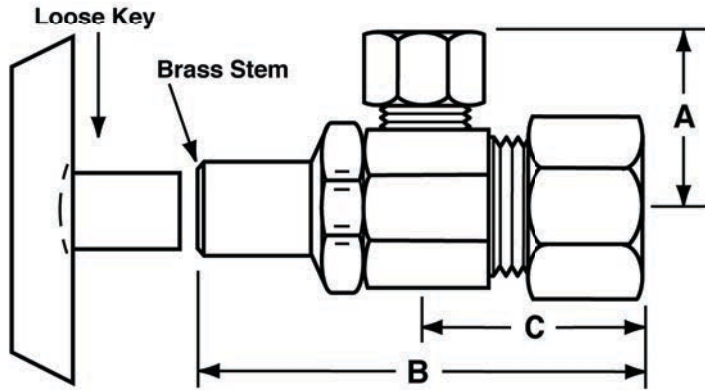
PRODUCT SPECIFICATION

Angle Supply Stop
Nominal x O.D.

Job Name:

Submittal Number:

Compression To Compression



| NO. | DESCRIPTION | ROUGHING MEASUREMENTS | | |
|-----------|--------------------------|-----------------------|--------|--------|
| | | A | B | C |
| LFST09 | 1/2" Nominal x 3/8" O.D. | 1" | 1-3/4" | 1-1/8" |
| LFST09LK | 1/2" Nominal x 3/8" O.D. | 1" | 2-3/8" | 1-1/8" |
| LFST09X | 1/2" Nominal x 3/8" O.D. | 1" | 1-3/4" | 1-1/8" |
| LFST010 | 1/2" Nominal x 1/2" O.D. | 1-3/16" | 1-3/4" | 1-1/4" |
| LFST010LK | 1/2" Nominal x 1/2" O.D. | 1-3/16" | 2-3/8" | 1-1/4" |
| LFST010X | 1/2" Nominal x 1/2" O.D. | 1-3/16" | 1-3/4" | 1-1/4" |

LK designates *Loose Key*

X designates *Heavy Brass Cross Handle*

See options and accessories section for details on product variations.

LOW-LEAD



ASME A112.18.2

Specifications:

Chrome plated brass, supply stop valve with full turn brass stem. Inlet shall be (3/8, 1/2) inch (IPS, sweat, compression). Outlet shall be (3/8, 1/2) inch (IPS, compression). Supply stop valve shall be McGuire _____. Supply stop valve shall be recognized by testing authority and bear manufacturer and testing mark.



WARNING:

This product can expose you to chemicals including lead, which is known to the State of California to cause cancer, and birth defects or other reproductive harm. For more information go to www.P65Warnings.ca.gov.



McGuire Manufacturing Co., Inc.

60 Grandview Court
 Cheshire, Connecticut 06410
 (203) 699-1801 Fax (203) 699-1813
 customerservice@mcguiremfg.com mcguiremfg.com

Part No.

LFST11, LFST11LK, LFST11X, LFST12,
 LFST12LK, LFST12X, LFST13, LFST13LK,
 LFST13X, LFST14, LFST14LK, LFST14X

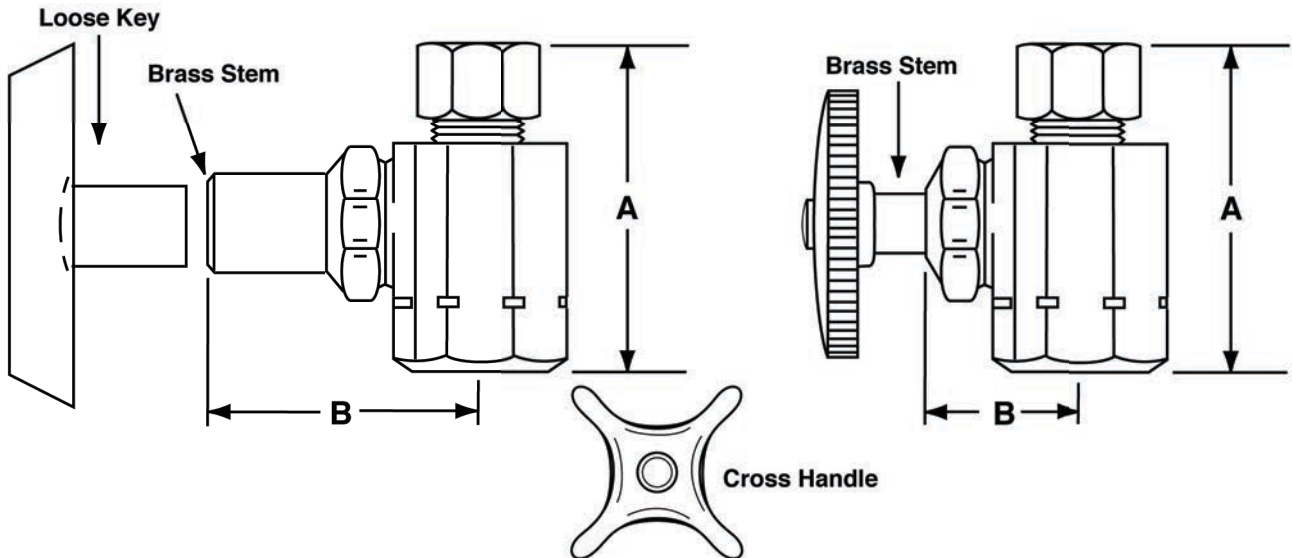
Straight Supply Stop I.P.S. x O.D.

PRODUCT SPECIFICATION

Job Name:

Submittal Number:

Pipe To Compression



| NO. | DESCRIPTION | ROUGHING MEASUREMENTS | |
|----------|-------------------------|-----------------------|--------|
| | | A | B |
| LFST11 | 3/8" I.P.S. x 3/8" O.D. | 1-15/16" | 7/8" |
| LFST11LK | 3/8" I.P.S. x 3/8" O.D. | 1-15/16" | 1-5/8" |
| LFST11X | 3/8" I.P.S. x 3/8" O.D. | 1-15/16" | 7/8" |
| LFST12 | 1/2" I.P.S. x 3/8" O.D. | 1-15/16" | 7/8" |
| LFST12LK | 1/2" I.P.S. x 3/8" O.D. | 1-15/16" | 1-5/8" |
| LFST12X | 1/2" I.P.S. x 3/8" O.D. | 1-15/16" | 7/8" |
| LFST13 | 3/8" I.P.S. x 1/2" O.D. | 1-15/16" | 7/8" |
| LFST13LK | 3/8" I.P.S. x 1/2" O.D. | 1-15/16" | 1-5/8" |
| LFST13X | 3/8" I.P.S. x 1/2" O.D. | 1-15/16" | 7/8" |
| LFST14 | 1/2" I.P.S. x 1/2" O.D. | 1-15/16" | 7/8" |
| LFST14LK | 1/2" I.P.S. x 1/2" O.D. | 1-15/16" | 1-5/8" |
| LFST14X | 1/2" I.P.S. x 1/2" O.D. | 1-15/16" | 7/8" |

LK designates *Loose Key*

X designates *Heavy Brass Cross Handle*

See options and accessories section for details on product variations.

LOW-LEAD



ASME A112.18.2

Specifications:

Chrome plated brass, Supply Stop Valve with full turn brass stem. Inlet shall be (3/8, 1/2) inch (IPS, sweat, compression). Outlet shall be (3/8, 1/2) inch (IPS, compression). Supply stop valve shall be McGuire. Supply stop valve shall be certified by CSA or other recognized testing authority and bear manufacturer and testing mark. Stop to be certified to 200 psi line pressure.



WARNING:

This product can expose you to chemicals including lead, which is known to the State of California to cause cancer, and birth defects or other reproductive harm. For more information go to www.P66Warnings.ca.gov.



McGuire Manufacturing Co., Inc.

60 Grandview Court
 Cheshire, Connecticut 06410
 (203) 699-1801 Fax (203) 699-1813
 customerservice@mcguiremfg.com mcguiremfg.com

Part No.
LFST15SB, LFST15LKSB,
LFST155SB, LFST155LKSB

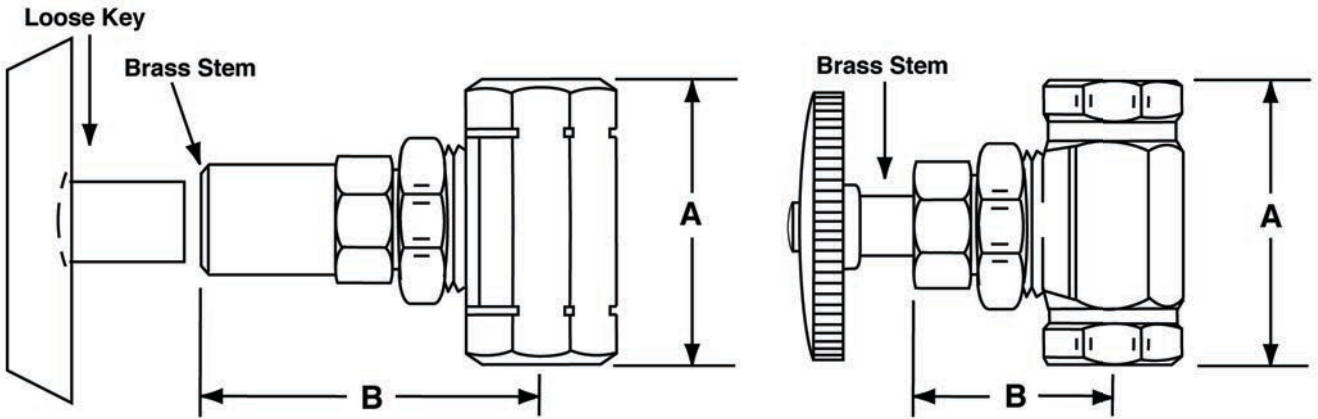
Straight Supply Stop
I.P.S. x I.P.S.

PRODUCT SPECIFICATION

Job Name:

Submittal Number:

Pipe to Pipe with Stuffing Box



| NO. | DESCRIPTION | ROUGHING MEASUREMENTS | |
|-------------|---------------------------|-----------------------|--------|
| | | A | B |
| LFST15SB | 3/8" I.P.S. x 3/8" I.P.S. | 1-3/4" | 1-1/4" |
| LFST15LKSB | 3/8" I.P.S. x 3/8" I.P.S. | 1-3/4" | 1-3/4" |
| LFST155SB | 1/2" I.P.S. x 1/2" I.P.S. | 1-3/4" | 1-1/4" |
| LFST155LKSB | 1/2" I.P.S. x 1/2" I.P.S. | 1-3/4" | 1-3/4" |

SB designates *Stuffing Box*

LK designates *Loose Key*

See options and accessories section for details on product variations.



ASME A112.18.2

Specifications:

Chrome plated brass, supply stop valve with full turn brass stem. Inlet shall be (3/8, 1/2) inch (IPS, sweat, compression). Outlet shall be (3/8, 1/2) inch (IPS, compression). Supply stop valve shall be McGuire _____ . Supply stop valve shall be certified by recognized testing authority and bear manufacturer and testing mark.

WARNING:

This product can expose you to chemicals including lead, which is known to the State of California to cause cancer, and birth defects or other reproductive harm. For more information go to www.P65Warnings.ca.gov.



McGuire Manufacturing Co., Inc.

60 Grandview Court
 P.O. Box 746 • Cheshire, CT 06410
 203-699-1801 • Fax: 203-699-1813
 www.mcguiremfg.com

Part No.

LFST15SB, LFST15LKSB, LFST15SBX,
 LFST155SB, LFST155LKSB, LFST155SBX

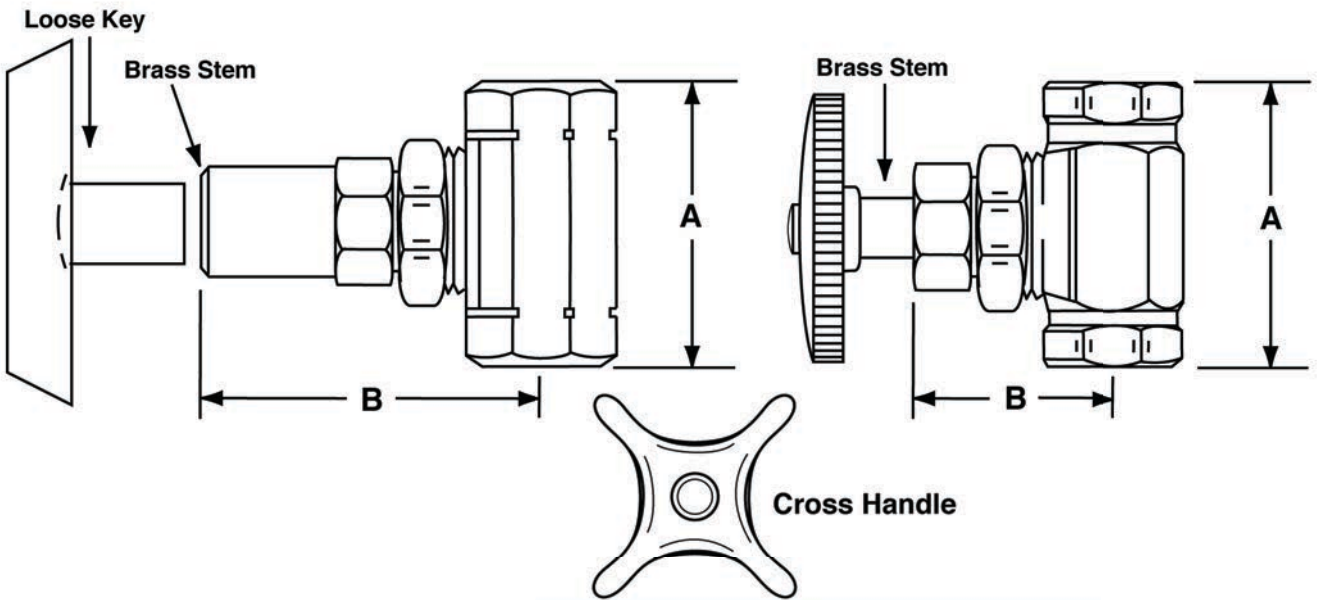
PRODUCT SPECIFICATION

**Straight Supply Stop
 I.P.S. x I.P.S.**

Job Name:

Submittal Number:

Pipe to Pipe with Stuffing Box



| NO. | DESCRIPTION | ROUGHING MEASUREMENTS | |
|-------------|---------------------------|-----------------------|--------|
| | | A | B |
| LFST15SB | 3/8" I.P.S. x 3/8" I.P.S. | 1-3/4" | 1-1/4" |
| LFST15LKSB | 3/8" I.P.S. x 3/8" I.P.S. | 1-3/4" | 1-3/4" |
| LFST15SBX | 3/8" I.P.S. x 3/8" I.P.S. | 1-3/4" | 1-1/4" |
| LFST155LKSB | 1/2" I.P.S. x 1/2" I.P.S. | 1-3/4" | 1-3/4" |
| LFST155SB | 1/2" I.P.S. x 1/2" I.P.S. | 1-3/4" | 1-1/4" |
| LFST155SBX | 1/2" I.P.S. x 1/2" I.P.S. | 1-3/4" | 1-3/4" |

X designates *Heavy Brass Cross Handle*

SB designates *Stuffing Box*

LK designates *Loose Key*

See options and accessories section for details on product variations.



ASME A112.18.1-2011/CSA B125.1-11

Specifications:

Chrome plated brass, supply stop valve with full turn brass stem. Inlet shall be (3/8, 1/2) inch (IPS, sweat, compression). Outlet shall be (3/8, 1/2) inch (IPS, compression). Supply stop valve shall be McGuire _____ . Supply stop valve shall be certified by recognized testing authority and bear manufacturer and testing mark.

WARNING:

This product can expose you to chemicals including leac, which is known to the State of California to cause cancer, and birth defects or other reproductive harm. For more information go to www.P65Warnings.ca.gov.



McGuire Manufacturing Co., Inc.

60 Grandview Court
 Cheshire, Connecticut 06410
 (203) 699-1801 Fax (203) 699-1813
 customerservice@mcguiremfg.com mcguiremfg.com

Part No.

LFST16, LFST16LK, LFST16X,
 LFST19, LFST19LK, LFST19X

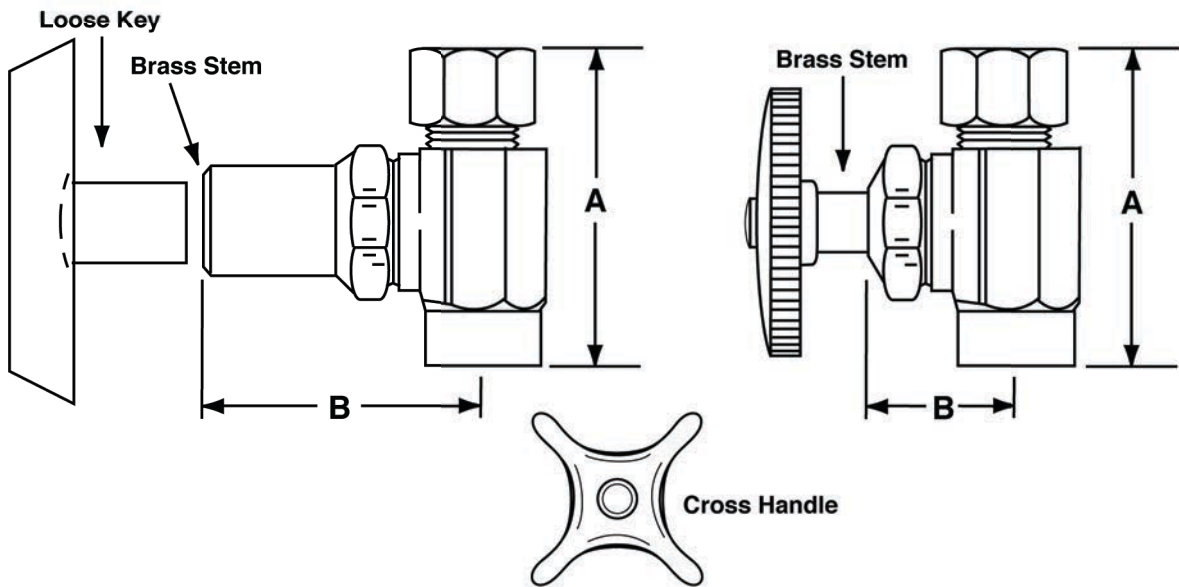
PRODUCT SPECIFICATION

**Straight Supply Stop
 Copper Sweat x O.D.**

Job Name:

Submittal Number:

Sweat to Compression



| NO. | DESCRIPTION | ROUGHING MEASUREMENTS | |
|----------|-------------------------------|-----------------------|--------|
| | | A | B |
| LFST16 | 1/2" Copper Sweat x 3/8" O.D. | 1-7/8" | 3/4" |
| LFST16LK | 1/2" Copper Sweat x 3/8" O.D. | 1-7/8" | 1-5/8" |
| LFST16X | 1/2" Copper Sweat x 3/8" O.D. | 1-7/8" | 3/4" |
| LFST19 | 1/2" Copper Sweat x 1/2" O.D. | 1-7/8" | 3/4" |
| LFST19LK | 1/2" Copper Sweat x 1/2" O.D. | 1-7/8" | 1-3/4" |
| LFST19X | 1/2" Copper Sweat x 1/2" O.D. | 1-7/8" | 3/4" |

LK designates *Loose Key*

X designates *Heavy Brass Cross Handle*

See options and accessories section for details on product variations.



ASME A112.18.2

Specifications:

Chrome plated brass, supply stop valve with full turn brass stem. Inlet shall be (3/8, 1/2) inch (IPS, compression). Outlet shall be (3/8, 1/2) inch (IPS, compression). Supply stop valve shall be McGuire _____ . Supply stop valve shall be certified by recognized testing authority and bear manufacturer and testing mark.



WARNING:

This product can expose you to chemicals including lead, which is known to the State of California to cause cancer, and birth defects or other reproductive harm. For more information go to www.P65Warnings.ca.gov.



McGuire Manufacturing Co., Inc.

60 Grandview Court
 Cheshire, Connecticut 06410
 (203) 699-1801 Fax (203) 699-1813
 customerservice@mcguiremfg.com mcguiremfg.com

Part No.

LFST17, LFS17LK, LFST17X,
 LFST18, LFST18LK, LFST18X

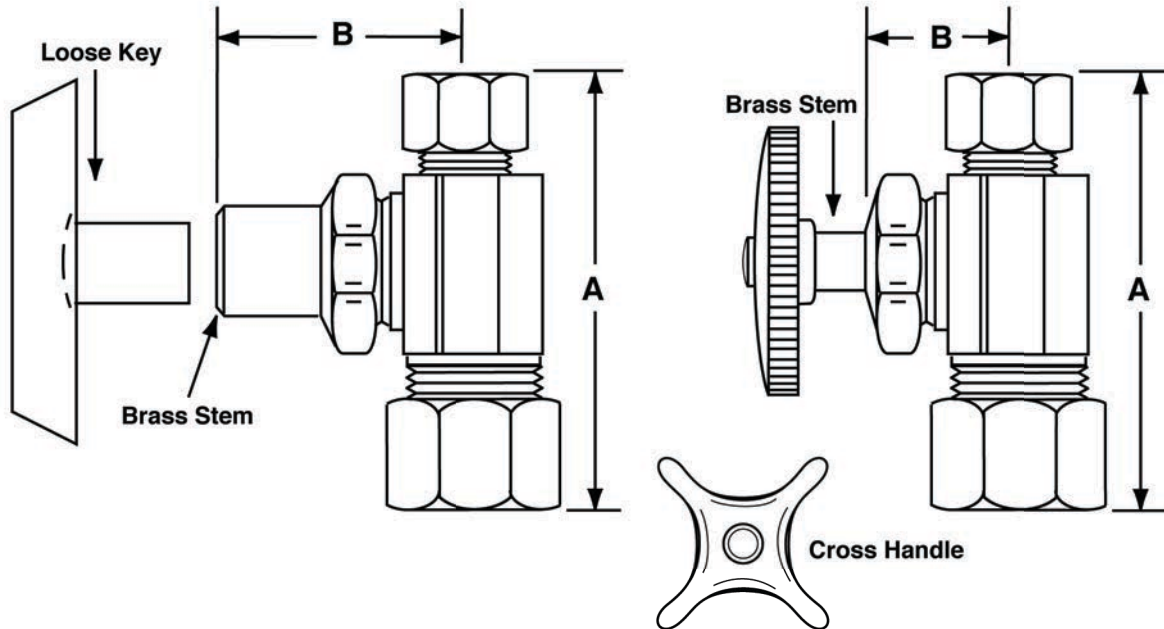
PRODUCT SPECIFICATION

**Straight Supply Stop
 Nominal x O.D.**

Job Name:

Submittal Number:

Compression to Compression



| NO. | DESCRIPTION | ROUGHING MEASUREMENTS | |
|----------|--------------------------|-----------------------|--------|
| | | A | B |
| LFST17 | 1/2" Nominal x 3/8" O.D. | 2-1/4" | 7/8" |
| LFST17LK | 1/2" Nominal x 3/8" O.D. | 2-1/4" | 1-5/8" |
| LFST17X | 1/2" Nominal x 3/8" O.D. | 2-1/4" | 7/8" |
| LFST18 | 1/2" Nominal x 1/2" O.D. | 2-1/4" | 7/8" |
| LFST18LK | 1/2" Nominal x 1/2" O.D. | 2-1/4" | 1-3/4" |
| LFST18X | 1/2" Nominal x 1/2" O.D. | 2-1/4" | 7/8" |

LK designates *Loose Key*

X designates *Heavy Brass Cross Handle*

See options and accessories section for details on product variations.



ASME A112.18.2

Specifications:

Chrome plated brass, supply stop valve with full turn brass stem. Inlet shall be (3/8, 1/2) inch (IPS, sweat, compression). Outlet shall be (3/8, 1/2) inch (IPS, compression). Supply stop valve shall be McGuire _____ . Supply stop valve shall be certified by recognized testing authority and bear manufacturer and testing mark.



WARNING:

This product can expose you to chemicals including lead, which is known to the State of California to cause cancer, and birth defects or other reproductive harm. For more information go to www.P65Warnings.ca.gov.



McGuire Manufacturing Co., Inc.

60 Grandview Court
 Cheshire, Connecticut 06410
 (203) 699-1801 Fax (203) 699-1813
 customerservice@mcguiremfg.com mcguiremfg.com

Part No.

**LFST182, LFST182LK,
 LFST182X**

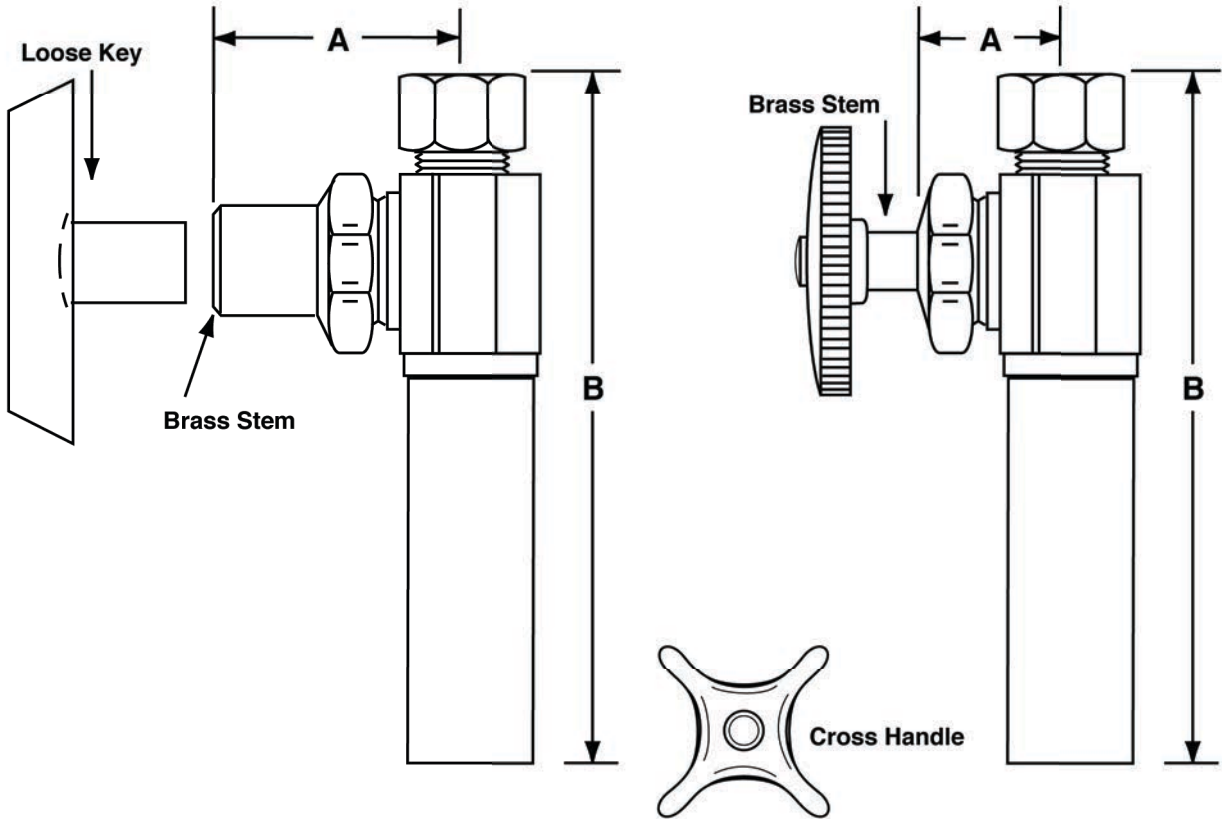
**Straight Supply Stop
 Copper Sweat x O.D.**

PRODUCT SPECIFICATION

Job Name:

Submittal Number:

Sweat with 5" Extension to Compression



| NO. | DESCRIPTION | ROUGHING MEASUREMENTS | |
|-----------|-------------------------------|-----------------------|--------|
| | | A | B |
| LFST182 | 1/2" Copper Sweat x 3/8" O.D. | 7/8" | 6-5/8" |
| LFST182LK | 1/2" Copper Sweat x 3/8" O.D. | 1-1/2" | 6-5/8" |
| LFST182X | 1/2" Copper Sweat x 3/8" O.D. | 7/8" | 6-5/8" |

LK designates *Loose Key*

X designates *Heavy Brass Cross Handle*

See options and accessories section for details on product variations.



ASME A112.18.2

Specifications:

Chrome plated brass, supply stop valve with full turn brass stem. Inlet shall be (3/8, 1/2) inch (IPS, sweat, compression). Outlet shall be (3/8, 1/2) inch (IPS, compression). Supply stop valve shall be McGuire _____. Supply stop valve shall be certified by recognized testing authority and bear manufacturer and testing mark.



WARNING:

This product can expose you to chemicals including lead, which is known to the State of California to cause cancer, and birth defects or other reproductive harm. For more information go to www.P65Warnings.ca.gov.