



McGuire Manufacturing Co., Inc.

60 Grandview Court
 Cheshire, Connecticut 06410
 (203) 699-1801 Fax (203) 699-1813
 customerservice@mcguiremfg.com mcguiremfg.com

Part No.

LFBV2-175

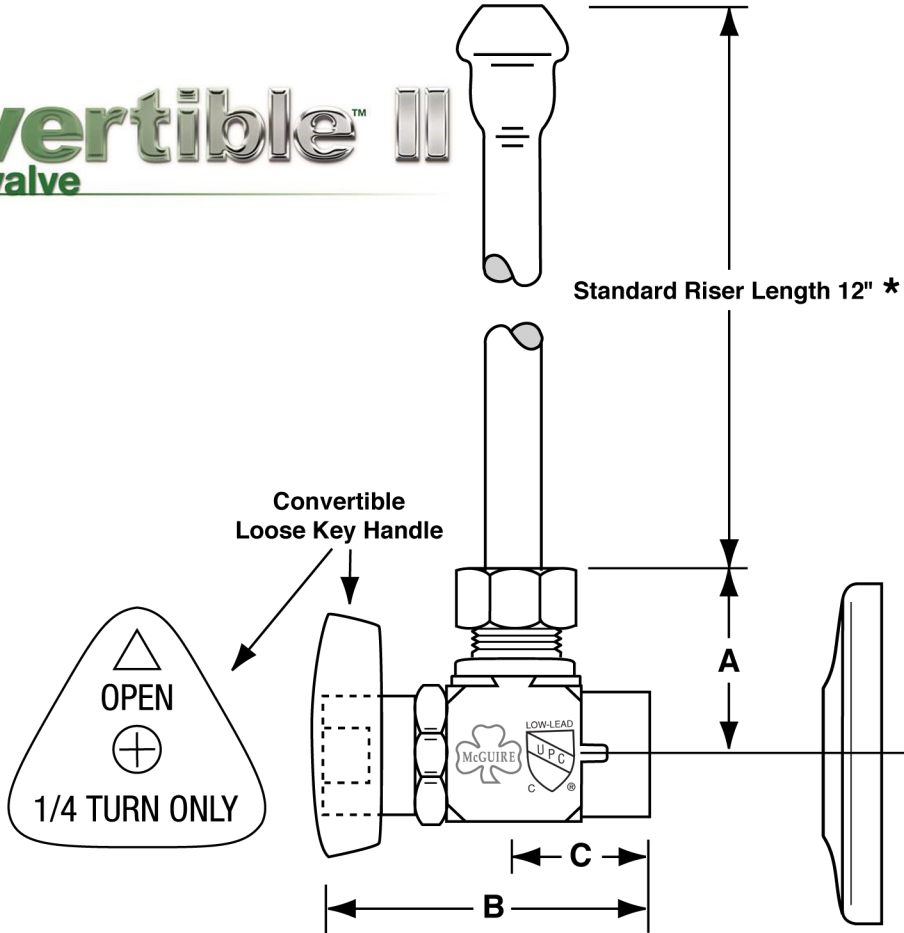
**Quarter-Turn Brass
 Ball Valve Lavatory Supply**

PRODUCT SPECIFICATION

Job Name:

Submittal Number:

convertible II
 ball valve



NO.	DESCRIPTION	Roughing Measurements		
		A	B	C
LFBV2-175	1/2" Copper Sweat x 3/8" O.D.	1-1/4"	2-1/4"	13/16"



* See options and accessories section for details on product variations.

Specifications:

Supply kits shall include low lead chrome plated, commercial pattern Quarter-Turn Brass Ball Valve with convertible loose key handle, (chrome plated copper or braided stainless risers) and (shallow, deep, bell) (steel or brass) or (forged brass with set screw) flange. Inlet shall be (1/2) inch (IPS, sweat, compression). Outlet shall be (3/8) inch (compression). Supply kit shall be McGuire _____ . Supply kit shall be low lead certified by recognized authority and bear manufacturer and testing mark.



WARNING:

This product can expose you to chemicals including lead, which is known to the State of California to cause cancer, and birth defects or other reproductive harm. For more information go to www.P65Warnings.ca.gov.