



McGuire Manufacturing Co., Inc.

60 Grandview Court

Cheshire, Connecticut 06410

(203) 699-1801 Fax (203) 699-1813

customerservice@mcguiremfg.com mcguiremfg.com

PRODUCT SPECIFICATION

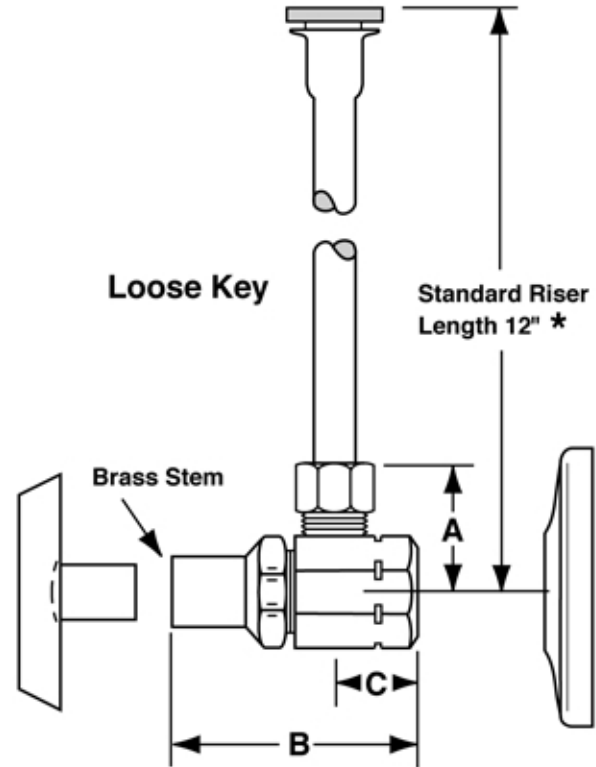
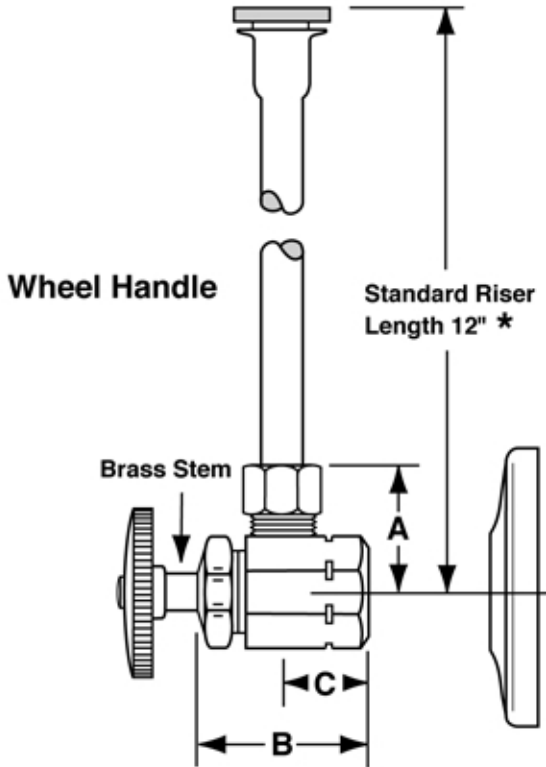
Part No.

LF2166

**Closet Supply
1/2" I.P.S. x O.D.**

Job Name:

Submittal Number:



NO.	DESCRIPTION	ROUGHING MEASUREMENTS		
		A	B	C
LF2166	1/2" I.P.S. x 3/8" O.D.	1"	1-1/2"	3/4"

LK designates Loose Key

* See options and accessories section for details on product variations.



Specifications:

Supply kit shall include lead free chrome plated brass supply stop valves with full turn brass stem, no plastic, (12, 15, 20) inch chrome plated risers and (shallow, deep, bell) (steel, brass) or (forged brass with set screw) flange. Inlet shall be (3/8, 1/2) inch (IPS, sweat, compression). Outlet shall be (3/8, 1/2) inch (IPS, compression). Supply kit shall be McGuire _____. Supply kit shall be certified by recognized authority and bear manufacturer and testing mark.



WARNING:

This product can expose you to chemicals including lead, which is known to the State of California to cause cancer, and birth defects or other reproductive harm. For more information go to www.P65Warnings.ca.gov.



McGuire Manufacturing Co., Inc.

60 Grandview Court
Cheshire, Connecticut 06410
(203) 699-1801 Fax (203) 699-1813
customerservice@mcguiremfg.com mcguiremfg.com

PRODUCT SPECIFICATION

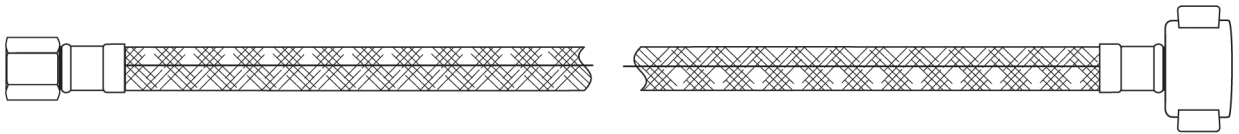
Part No.

SSCLO

**Braided Stainless
Closet Risers**

Job Name:

Submittal Number:



MODEL NO.	SIZE	LENGTH
SSCLO09050038	3/8" Comp x 7/8" Ballcock	9"
SSCLO12050038	3/8" Comp x 7/8" Ballcock	12"
SSCLO12050050	1/2" Comp x 7/8" Ballcock	12"
SSCLO20050038	3/8" Comp x 7/8" Ballcock	20"

LOW-LEAD



Fanski Group, Inc.

Specifications:

Closet riser shall be stainless steel braided reinforced polymer tube with captive cone washers, heavy-duty brass nut and plastic ballcock wing nut. Risers shall be in compliance with recognized testing authority.



WARNING:

This product can expose you to chemicals including lead, which is known to the State of California to cause cancer, and birth defects or other reproductive harm. For more information go to www.P65Warnings.ca.gov.