



McGuire Manufacturing Co., Inc.

60 Grandview Court
 Cheshire, Connecticut 06410
 (203) 699-1801 Fax (203) 699-1813
 customerservice@mcguiremfg.com mcguiremfg.com

PRODUCT SPECIFICATION

Part No.

**LFBV2-6X53 and
 LFBV2-6X55**

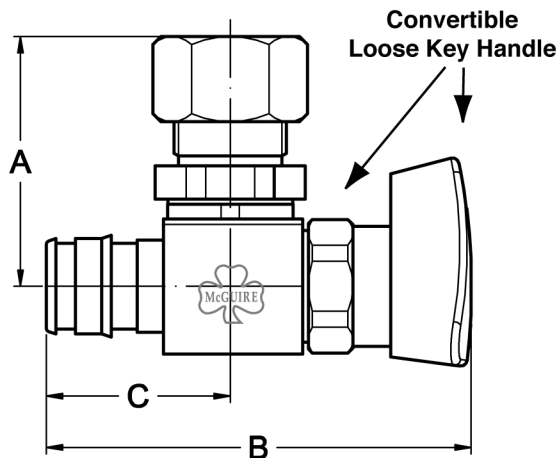
**Quarter-Turn Brass
 Ball Valve**

Job Name:

Submittal Number:

Convertible™ II

PEX-F1960 x Compression



Model No.	Description	Roughing Measurements		
		A	B	C
LFBV2-6X53	Angle Stop, 1/2" PEX-F1960 x 3/8" OD	1-1/4"	2-7/16"	1-5/16"
LFBV2-6X55	Angle Stop, 1/2" PEX-F1960 x 1/2" OD	1-5/16"	2-7/16"	1-5/16"

ASME A112.18.2



Specifications:

Lead free convertible quarter-turn brass ball valve, chrome plated commercial valve with convertible loose key handle. Supply stop valve shall be McGuire _____.
 Supply stop valve shall be certified by recognized testing authority and bear manufacturer and testing mark.



WARNING:

This product can expose you to chemicals including lead, which is known to the State of California to cause cancer, and birth defects or other reproductive harm. For more information go to www.P65Warnings.ca.gov.