



McGuire Manufacturing Co., Inc.

60 Grandview Court
Cheshire, Connecticut 06410
(203) 699-1801 Fax (203) 699-1813
customerservice@mcguiremfg.com mcguiremfg.com

PRODUCT SPECIFICATION

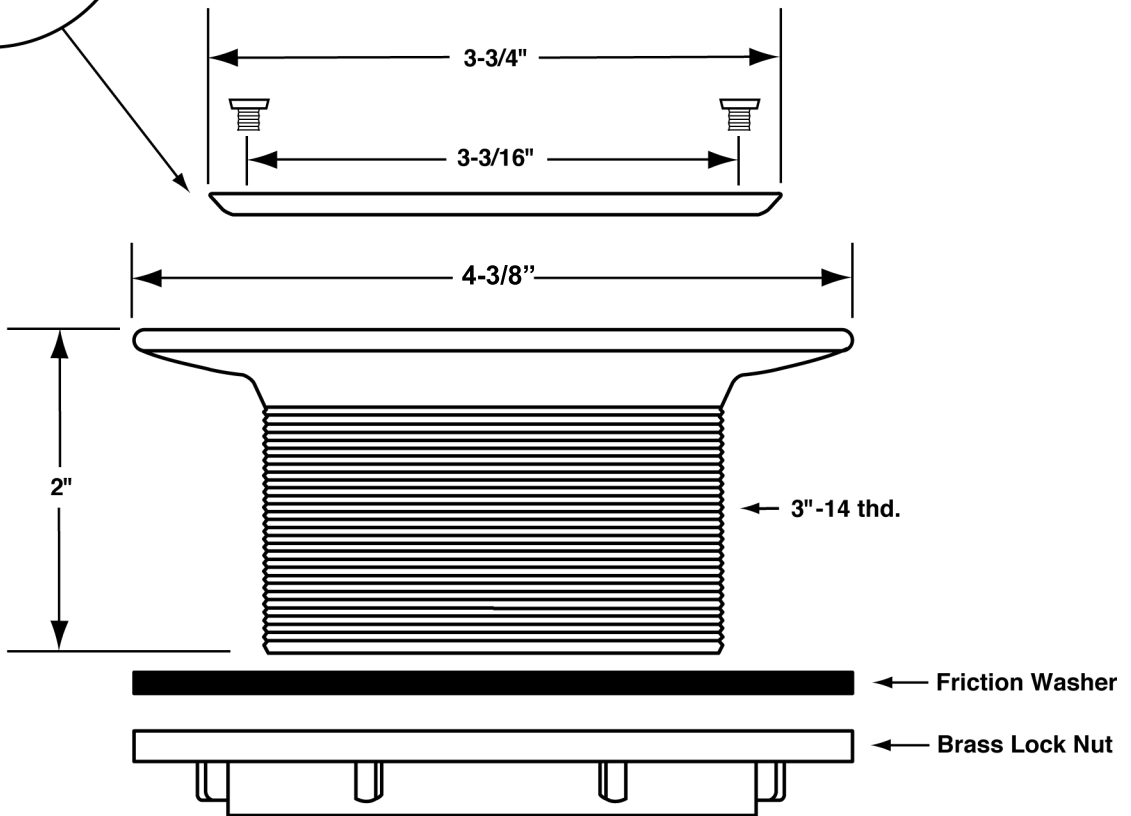
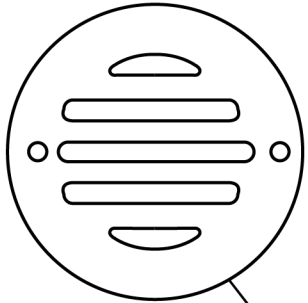
Part No.

1233

Flat Grid Urinal Strainer
for 2 inch Caulk

Job Name:

Submittal Number:



Please Note: Add suffix "V" to Part Number for vandal resistant screws.

Specifications:

Heavy Cast Brass Flat Grid Strainer for 2" lead caulk, iron or soil pipe with cast brass lock nut.
Available with vandal resistant screws.



WARNING:

This product can expose you to chemicals including lead, which is known to the State of California to cause cancer, and birth defects or other reproductive harm. For more information go to www.P65Warnings.ca.gov.