



McGuire Manufacturing Co., Inc.

60 Grandview Court

Cheshire, Connecticut 06410

(203) 699-1801 Fax (203) 699-1813

customerservice@mcguiremfg.com mcguiremfg.com

PRODUCT SPECIFICATION

Part No.

LFBV2-4P53 and LFBV2-4P55

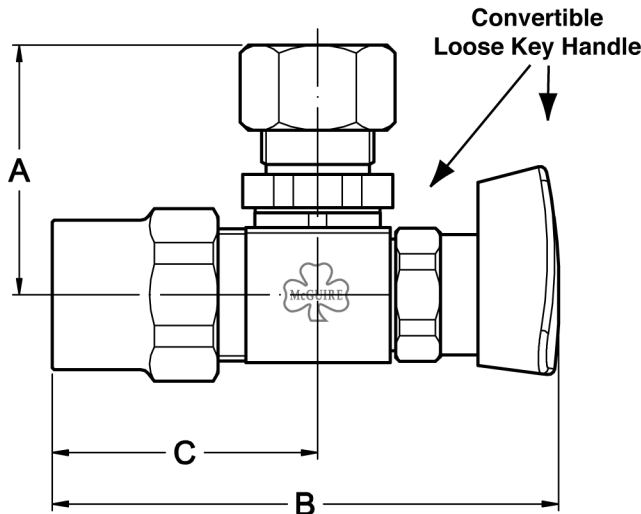
**Quarter-Turn Brass
Ball Valve**

Job Name:

Submittal Number:

Convertible™ II

CPVC X Compression



NO.	Part Title	A	B	C
LFBV2-4P53	Angle Stop, 1/2 CPVC X 3/8 OD	1-1/4"	3-1/32"	1-9/16"
LFBV2-4P55	Angle Stop, 1/2 CPVC X 1/2 OD	1-5/16"	3-1/32"	1-9/16"



ASME A112.18.2 C

Specifications:

Lead free convertible quarter-turn brass ball valve, chrome plated commercial valve with convertible loose key handle. Supply stop valve shall be McGuire _____.
Supply stop valve shall be certified by recognized testing authority and bear manufacturer and testing mark.



WARNING:

This product can expose you to chemicals including lead, which is known to the State of California to cause cancer, and birth defects or other reproductive harm. For more information go to www.P65Warnings.ca.gov.