



McGuire Manufacturing Co., Inc.

60 Grandview Court
 P.O. Box 746 ♣ Cheshire, CT 06410
 203-699-1801 ♣ Fax: 203-699-1813
 www.mcguiremfg.com

PRODUCT SPECIFICATION

Part No.

**PW8089NCO,
 PW8090NCO**

**Seamless PreWrapped
 Cast P-Trap Insulation Kit**

Job Name:

Submittal Number:

PROWRAP®

Insulation Material Specifications

MATERIAL... Molded closed cell vinyl (ANTI-MICROBIAL)

DUROMETER... 70 shore A

COLOR... Glossy White

BURNING CHARACTERISTICS...

ASTM D 635: Less than 5 sec (ATB) 10mm (AEB)

HEAT RESISTANCE...

ASTM C 177: BTU - in/hr - ft 2 - °F KValue = 1.02

FUNGAL RESISTANCE...

ASTM G - 21: (Rating*) 0 fungal growth measured

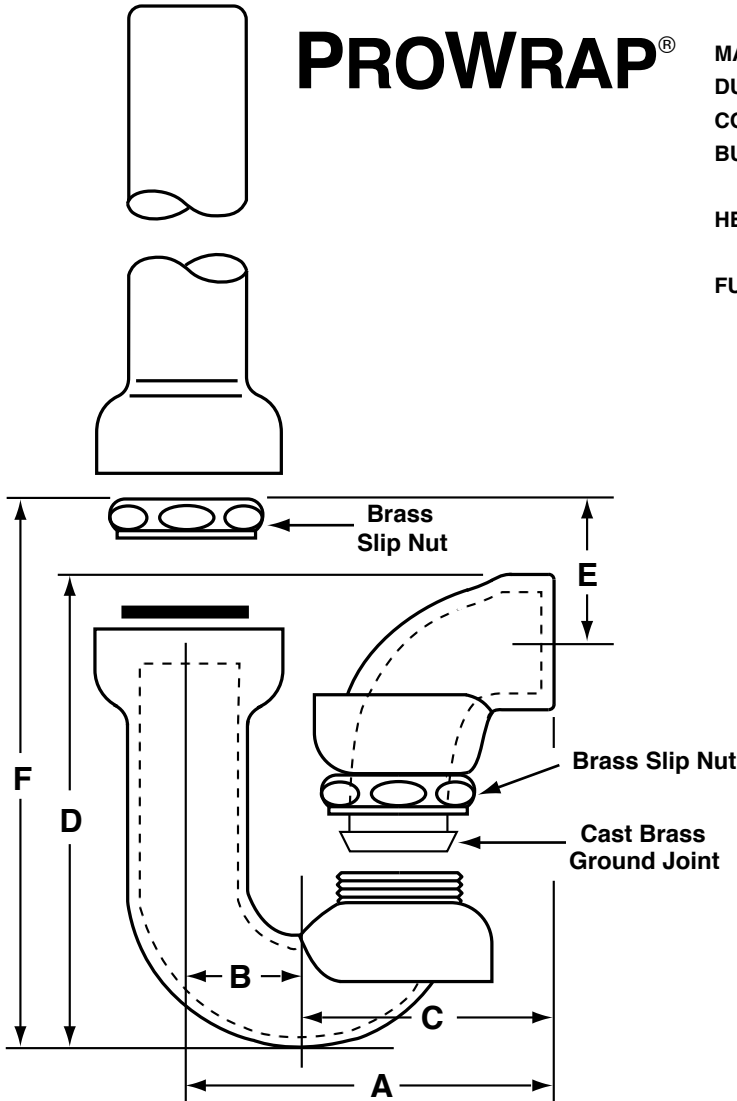
ASTM G - 22: (Rating*) 0 bacterial growth measured

*ASTM Rating - Observed Growth on Specimens

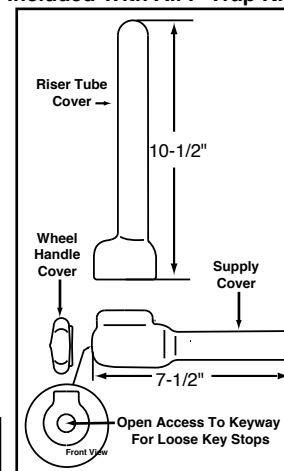
- 0 None
- 1 Traces of Growth (less than 10%)
- 2 Light Growth (10-30%)
- 3 Medium Growth (30-60%)
- 4 Heavy Growth (60%-complete coverage)

Environmental Controls:

Paper - 4, Cork - 1, Cotton - 4, Glass - 0



**Supply Covers (1 pair)
 Included With All P-Trap Kits**



ROUGHING MEASUREMENTS

NO.	INLET	OUTLET	A	B	C	D	E	F
PW8089NCO	1-1/2"	S.P.S. 1-1/2"	4-1/4"	1-3/8"	2-7/8"	5-3/4"	11/16"	4-5/8"
PW8090NCO	1-1/4"	S.P.S. 1-1/2"	4-1/4"	1-3/8"	2-7/8"	5-3/4"	11/16"	4-5/8"

See options and accessories section for details on product variations.

MADE IN USA
 U.S. PATENT
 5,341,830 5,586,568
 5,904,175 5,911,237
 5,795,623 5,678,598

A.D.A.



Specifications:

Seamless PreWrapped All Cast Brass Ground Joint Swivel P-Trap Kit furnished with McGuire cast brass ground joint swivel P-Trap less cleanout, seamless supply riser tube covers, supply angle stop covers and angle stop wheel handle covers.