



**McGuire Manufacturing Co., Inc.**

60 Grandview Court  
 P.O. Box 746 ♣Cheshire, CT 06410  
 203-699-1801 ♣ Fax: 203-699-1813  
 www.mcguiremfg.com

**PRODUCT SPECIFICATION**

**Part No.**

**PW8089, PW8090**

**Seamless PreWrapped  
 Cast P-Trap Insulation Kit**

**Job Name:**

**Submittal Number:**

**PROWRAP®**

**Insulation Material Specifications**

**MATERIAL...** Molded closed cell vinyl (ANTI-MICROBIAL)

**DUROMETER...** 70 shore A

**COLOR...** Glossy White

**BURNING CHARACTERISTICS...**

ASTM D 635: Less than 5 sec (ATB) 10mm (AEB)

**HEAT RESISTANCE...**

ASTM C 177: BTU - in/hr - ft 2 - °F KValue = 1.02

**FUNGAL RESISTANCE...**

ASTM G - 21: (Rating\*) 0 fungal growth measured

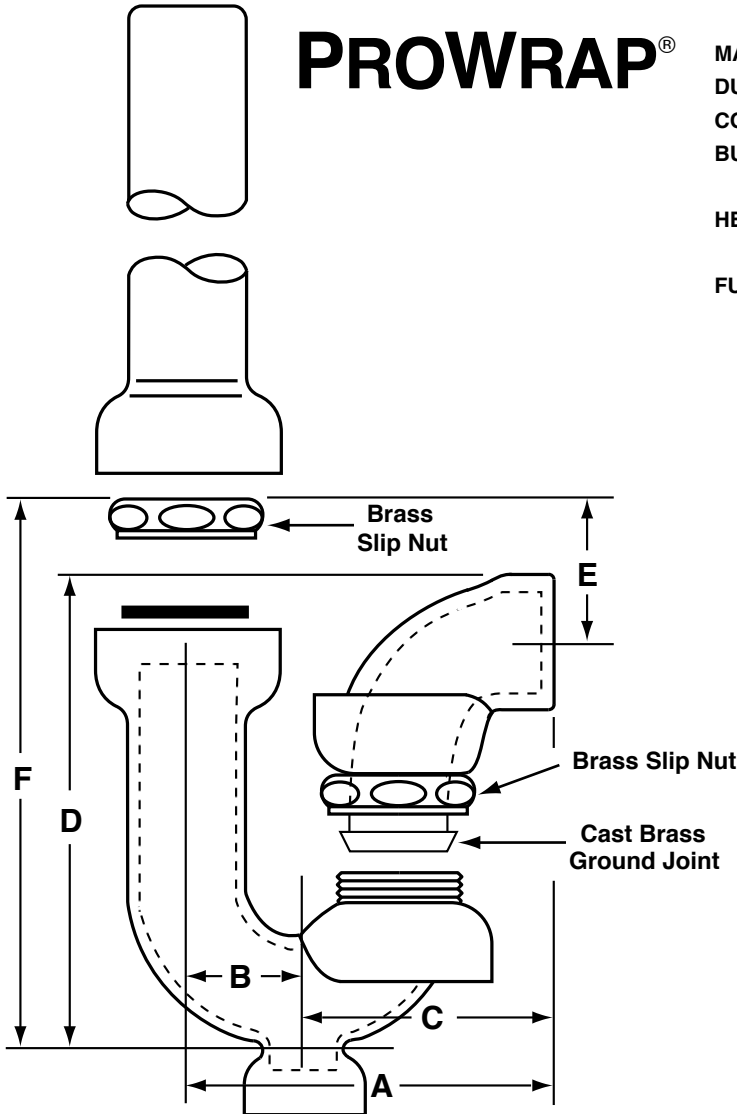
ASTM G - 22: (Rating\*) 0 bacterial growth measured

\*ASTM Rating - Observed Growth on Specimens

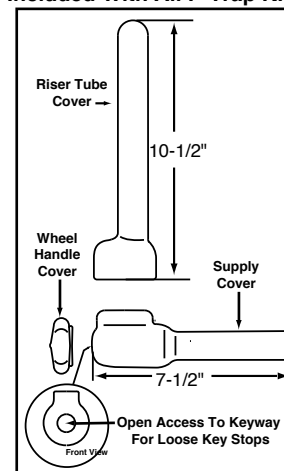
- 0 None
- 1 Traces of Growth (less than 10%)
- 2 Light Growth (10-30%)
- 3 Medium Growth (30-60%)
- 4 Heavy Growth (60%-complete coverage)

Environmental Controls:

Paper - 4, Cork - 1, Cotton - 4, Glass - 0



**Supply Covers (1 pair)  
 Included With All P-Trap Kits**



**ROUGHING MEASUREMENTS**

NO.	INLET	OUTLET	A	B	C	D	E	F
PW8089	1-1/2"	S.P.S. 1-1/2"	4-1/4"	1-3/8"	2-7/8"	5-3/4"	11/16"	4-5/8"
PW8090	1-1/4"	S.P.S. 1-1/2"	4-1/4"	1-3/8"	2-7/8"	5-3/4"	11/16"	4-5/8"

See options and accessories section for details on product variations.

MADE IN USA  
 U.S. PATENT

5,341,830 5,586,568  
 5,904,175 5,911,237  
 5,795,623 5,678,598

A.D.A.



**Specifications:**

Seamless PreWrapped All Cast Brass Ground Joint Swivel P-Trap Kit furnished with McGuire cast brass ground joint swivel P-Trap with cleanout, seamless supply riser tube covers, supply angle stop covers and angle stop wheel handle covers.