



McGuire Manufacturing Co., Inc.

60 Grandview Court
 P.O. Box 746 ♣ Cheshire, CT 06410
 203-699-1801 ♣ Fax: 203-699-1813
 www.mcguiremfg.com

PRODUCT SPECIFICATION

Part No.

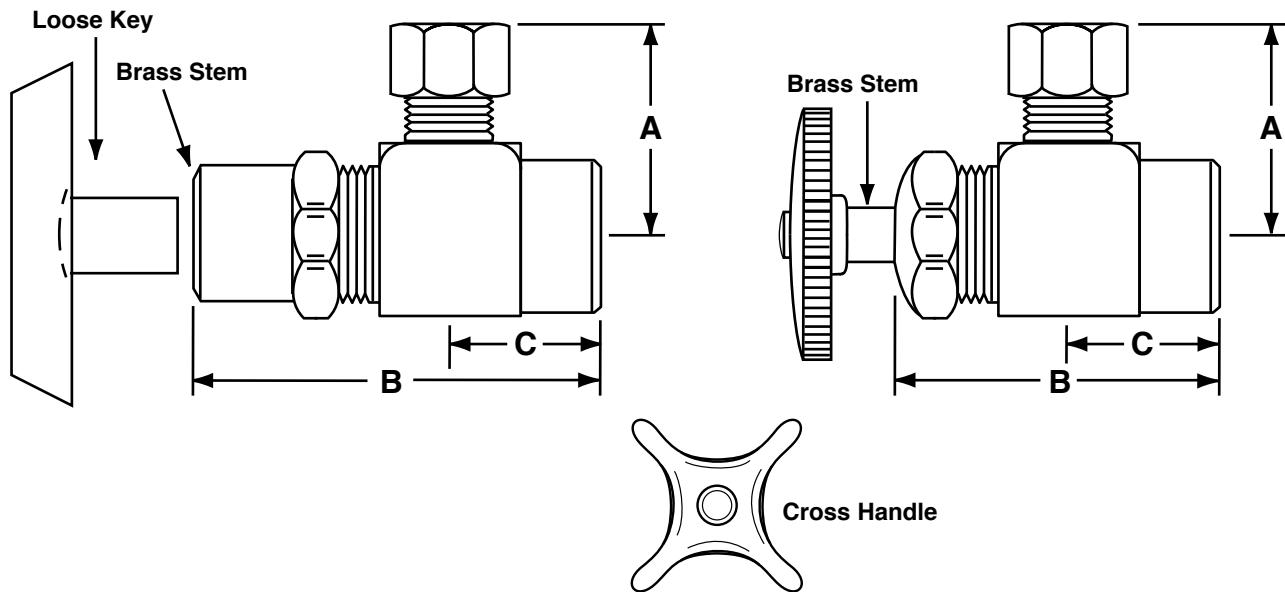
HST07, HST07LK, HST07X

**Premier Angle Supply Stop
 Copper Sweat x O.D.**

Job Name: _____

Submittal Number: _____

Sweat to Compression



NO.	DESCRIPTION	ROUGHING MEASUREMENTS		
		A	B	C
HST07	1/2" Copper Sweat x 3/8" O.D.	1-3/8"	2"	1"
HST07LK	1/2" Copper Sweat x 3/8" O.D.	1-3/8"	2-7/16"	1"
HST07X	1/2" Copper Sweat x 3/8" O.D.	1-3/8"	2"	1"

LK designates *Loose Key*

X designates *Heavy Brass Cross Handle*

See options and accessories section for details on product variations.



Specifications:

Chrome plated brass, Heavy Supply Stop Valve with full turn brass stem. Inlet shall be (3/8, 1/2) inch (IPS, sweat, compression). Outlet shall be (3/8, 1/2) inch (IPS, compression). Supply stop valve shall be McGuire _____. Supply stop valve shall be certified by CSA or other recognized testing authority and bear manufacturer and testing mark. Stop to be certified to 200 psi line pressure.