



McGuire Manufacturing Co., Inc.

60 Grandview Court
P.O. Box 746 ♣ Cheshire, CT 06410
203-699-1801 ♣ Fax: 203-699-1813
www.mcguiremfg.com

PRODUCT SPECIFICATION

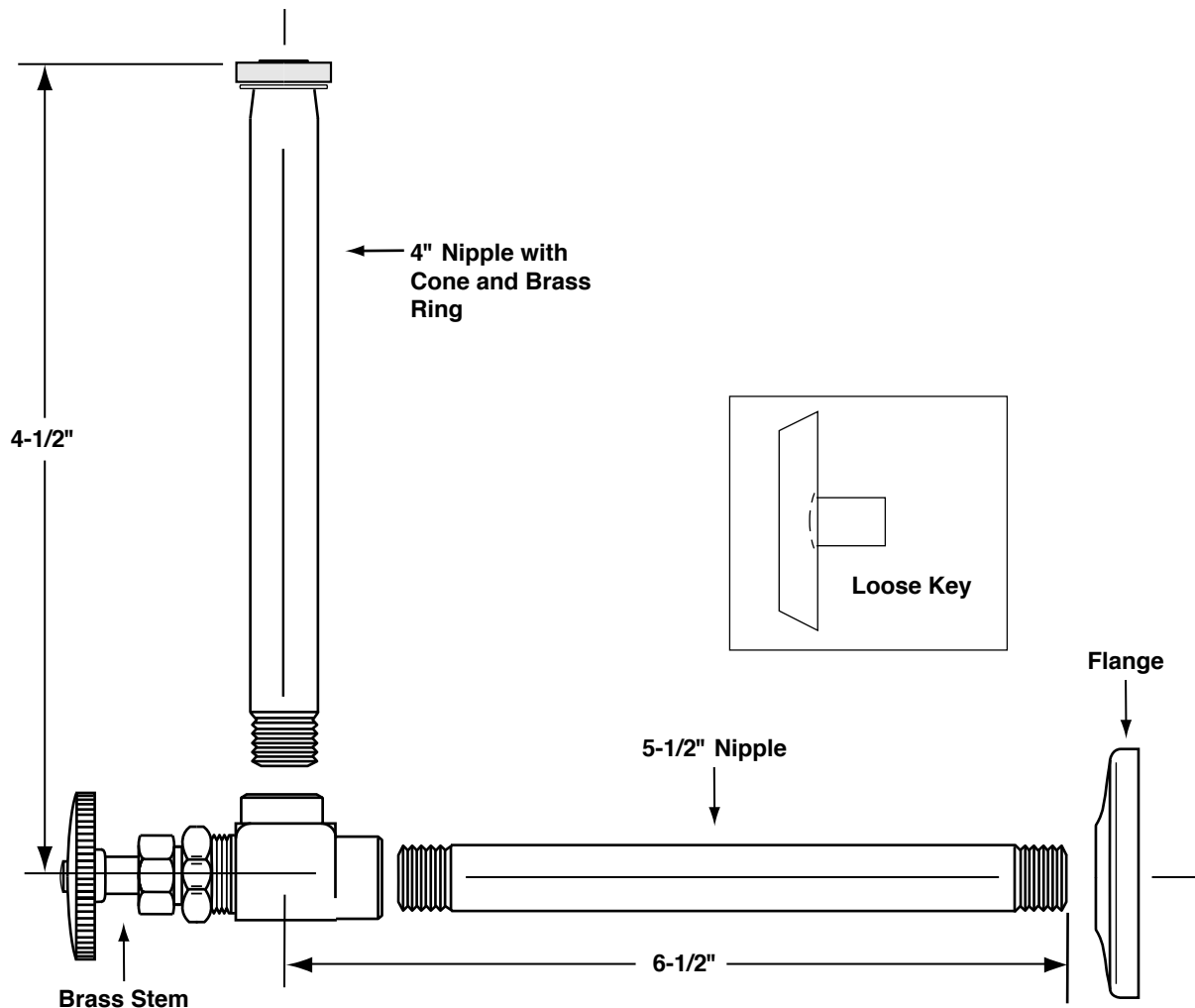
Part No.

H159, H159LK

**Heavy Rigid Closet
Supply 3/8" I.P.S.**

Job Name:

Submittal Number:



LK designates Loose Key

See options and accessories section for details on product variations.



Specifications:

Heavy Rigid Supply Kit shall include (3/8, 1/2) inch chrome plated heavy brass stop with full turn brass stem, no plastic, stuffing box, chrome plated cast brass nipple, cast brass reducer and (steel, brass) or (forged brass with set screw) flange. Supply kit shall be McGuire _____. Supply kit shall be certified by CSA or other recognized testing authority and shall bear manufacturer and testing mark. Stop to be certified to 200 psi line pressure.