



McGuire Manufacturing Co., Inc.

60 Grandview Court
 P.O. Box 746 ♣ Cheshire, CT 06410
 203-699-1801 ♣ Fax: 203-699-1813
 www.mcguiremfg.com

PRODUCT SPECIFICATION

Part No.

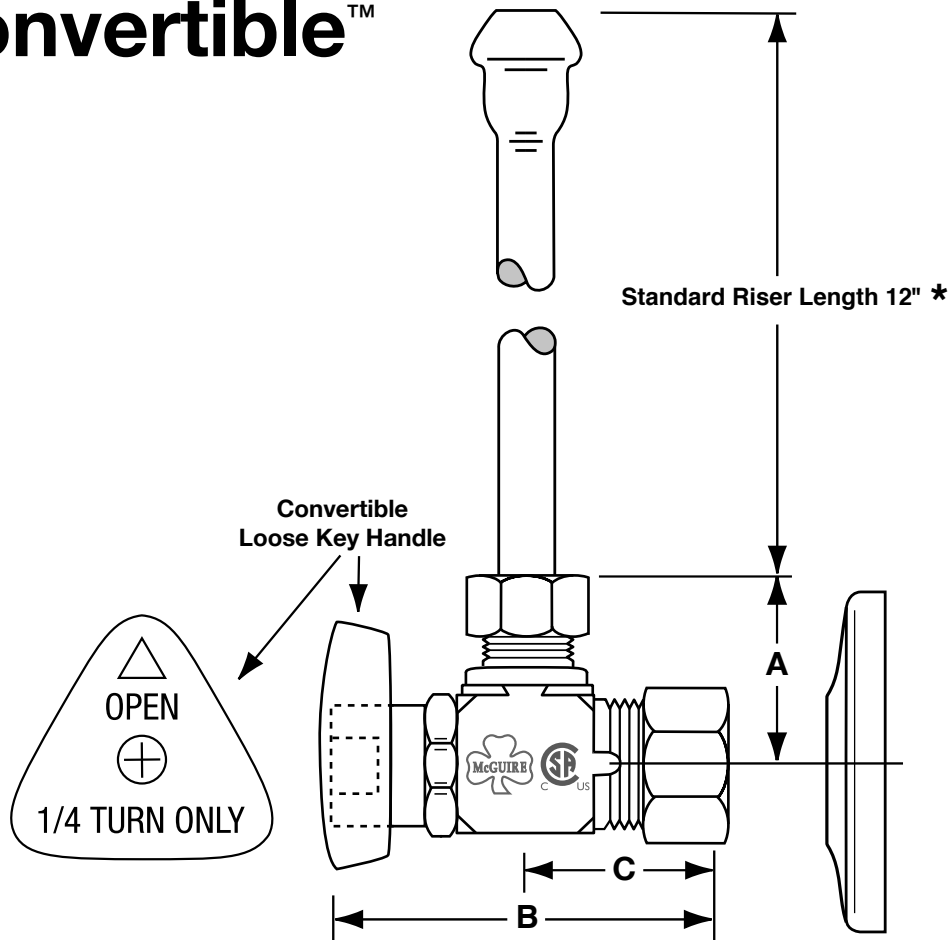
BV2165CC

**Quarter-Turn Brass
 Ball Valve Lavatory Supply**

Job Name:

Submittal Number:

Convertible™



NO.	DESCRIPTION	ROUGHING MEASUREMENTS		
		A	B	C
BV2165CC	1/2" Nominal x 3/8" O.D.	1-3/16"	2-1/2"	1-1/4"

* See options and accessories section for details on product variations.



Specifications:

Supply kit shall include chrome plated, commercial pattern Quarter-Turn Brass Ball Valve with convertible loose key handle (chrome plated copper, or braided stainless risers) and (shallow, deep, bell) (steel or brass) or (forged brass with set screw) flange. Inlet shall be (1/2) inch (IPS, sweat, compression). Outlet shall be (3/8) inch (compression). Supply kit shall be McGuire _____. Supply kit shall be certified by CSA or other recognized testing authority and shall bear manufacturer and testing mark. Stop to be certified to 200 psi line pressure.