



McGuire Manufacturing Co., Inc.

60 Grandview Court
 P.O. Box 746 ♣ Cheshire, CT 06410
 203-699-1801 ♣ Fax: 203-699-1813
 www.mcguiremfg.com

PRODUCT SPECIFICATION

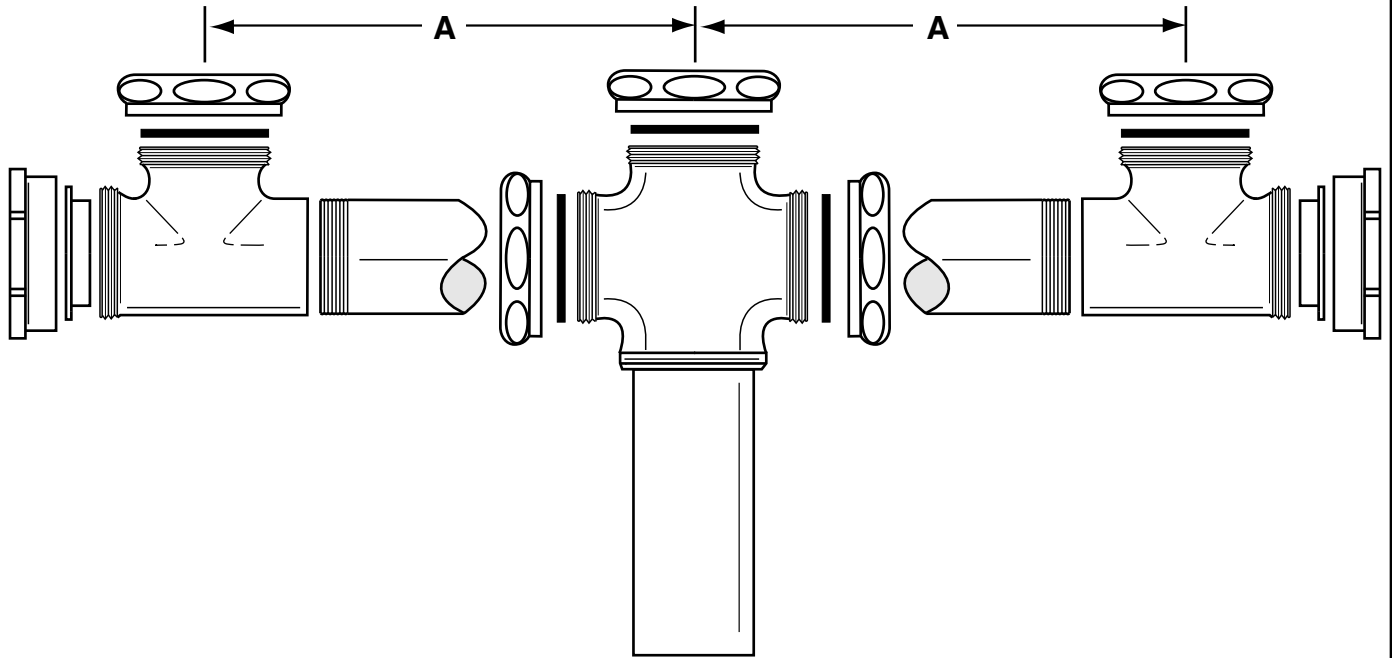
Part No.

5212, 5214

**Heavy Duty Center Outlet
 Continuous Waste**

Job Name: _____

Submittal Number: _____



NO.	DESCRIPTION	ROUGHING MEASUREMENT
		A
5212	1-1/2" x 1-1/2" 3 Part 25" Center	25"
5214	1-1/4" Inlet x 1-1/2" 3 Part 25" Center	25"

See options and accessories section for details on product variations.

Specifications:

Heavy Duty Center Outlet Continuous Waste with heavy polished chrome plated cast brass tees, 17 gauge seamless brass tubing, cast brass slip nuts and cleanout end caps.