



**McGuire Manufacturing Co., Inc.**

60 Grandview Court  
 P.O. Box 746 ♣ Cheshire, CT 06410  
 203-699-1801 ♣ Fax: 203-699-1813  
 www.mcguiremfg.com

**Part No.**

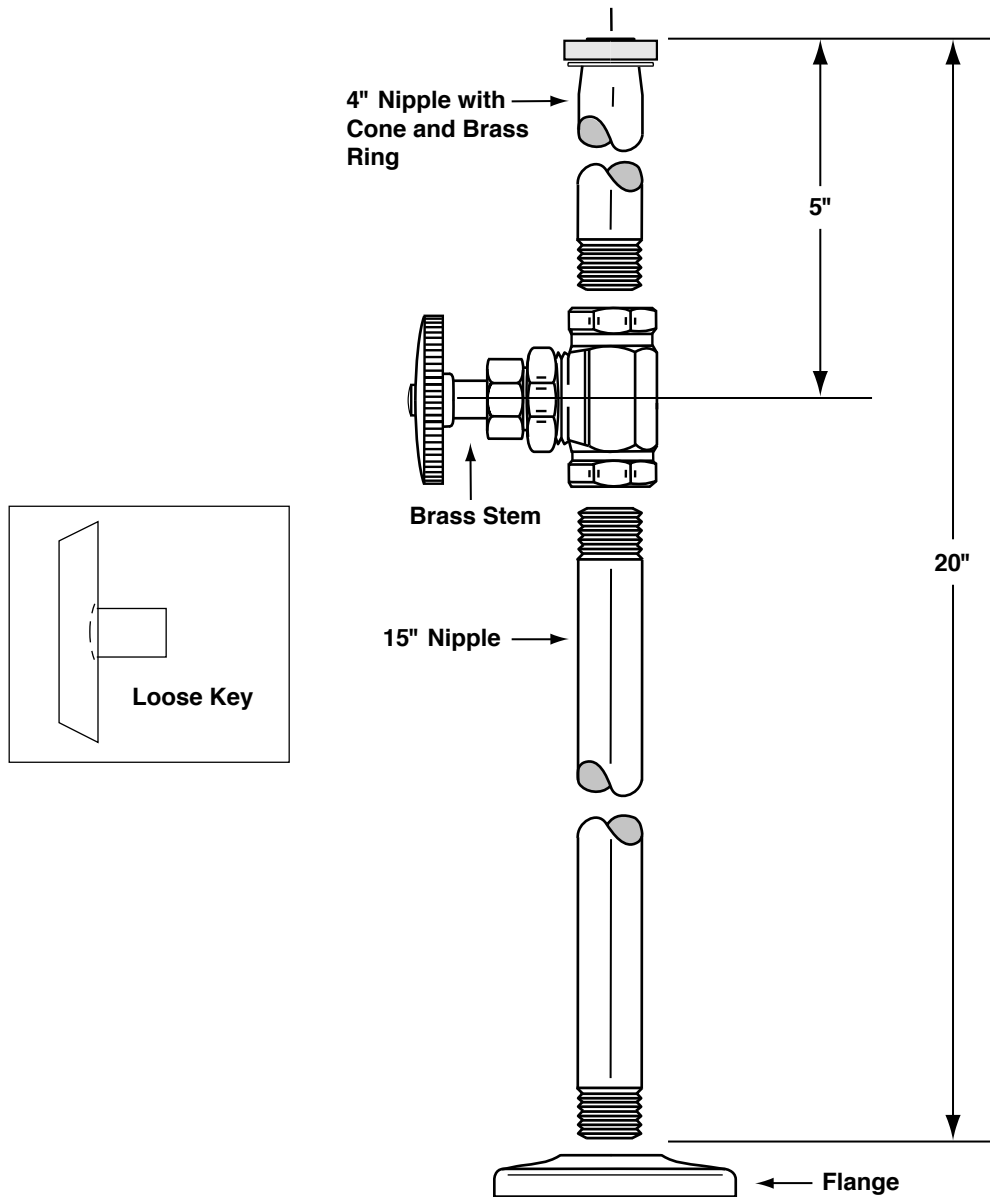
**160, 160LK**

**Rigid Closet Supply**

**PRODUCT SPECIFICATION**

**Job Name:** \_\_\_\_\_

**Submittal Number:** \_\_\_\_\_



**LK** designates Loose Key

See options and accessories section for details on product variations.



**Specifications:**

Rigid Supply Kit shall include chrome plated brass stops with threaded connections, stuffing box, full turn brass stem, no plastic, cast brass nipples, cast brass reducer and (steel, brass) or (forged brass with set screw) flange. Inlet shall be (3/8) inch IPS. Outlet shall be (3/8) inch IPS. Supply kit shall be McGuire \_\_\_\_\_. Supply kit shall be certified by CSA or other recognized testing authority and shall bear manufacturer and testing mark. Stop to be certified to 200 psi line pressure.