



McGuire Manufacturing Co., Inc.

60 Grandview Court
 P.O. Box 746 ♣ Cheshire, CT 06410
 203-699-1801 ♣ Fax: 203-699-1813
 www.mcguiremfg.com

Part No.

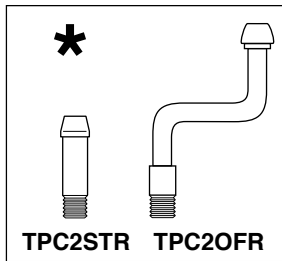
157, 157LK

Rigid Lavatory Supply

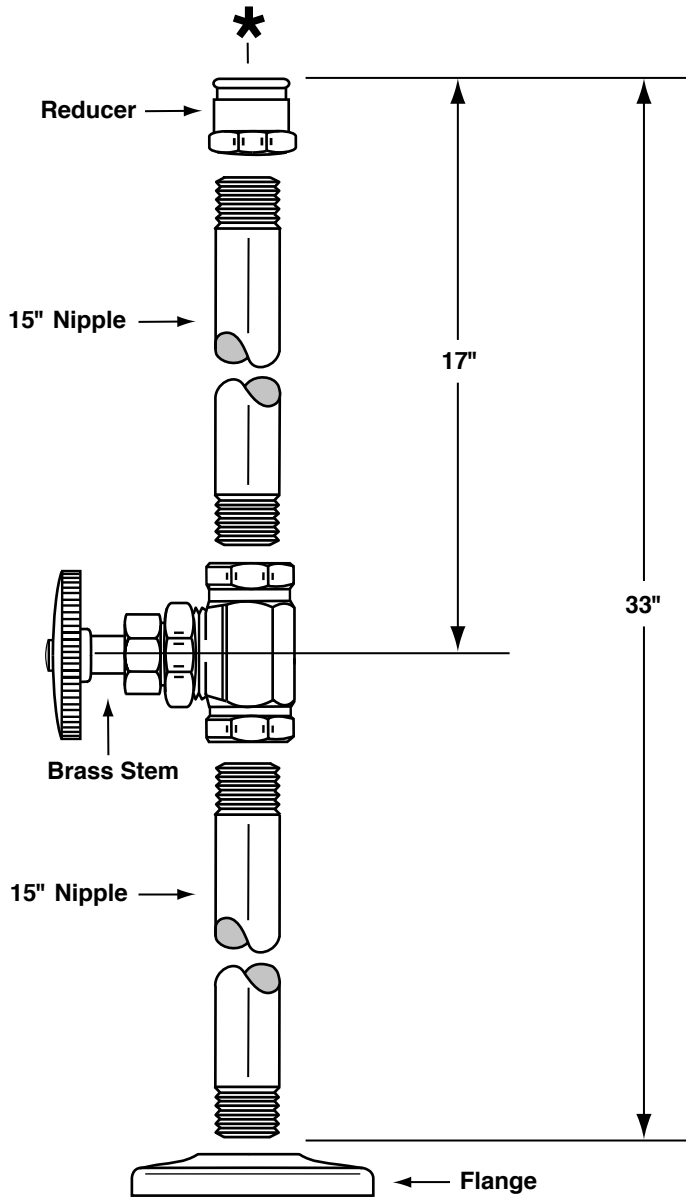
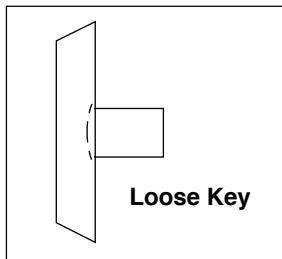
PRODUCT SPECIFICATION

Job Name:

Submittal Number:



McGuire tailpiece should be ordered separate for connection from reducer to faucet shank.
 (See specification sheet for TPC2STR, TPC2OFR)



LK designates Loose Key

See options and accessories section for details on product variations.



Specifications:

Rigid Supply Kit shall include chrome plated brass stops with threaded connections, stuffing box, full turn brass stem, no plastic, cast brass nipples, cast brass reducer and (steel, brass) or (forged brass with set screw) flange. Inlet shall be (3/8) inch IPS. Outlet shall be (3/8) inch IPS. Supply kit shall be McGuire _____. Supply kit shall be certified by CSA or other recognized testing authority and shall bear manufacturer and testing mark. Stop to be certified to 200 psi line pressure.