



McGuire Manufacturing Co., Inc.

60 Grandview Court
P.O. Box 746 ♣ Cheshire, CT 06410
203-699-1801 ♣ Fax: 203-699-1813
www.mcguiremfg.com

PRODUCT SPECIFICATION

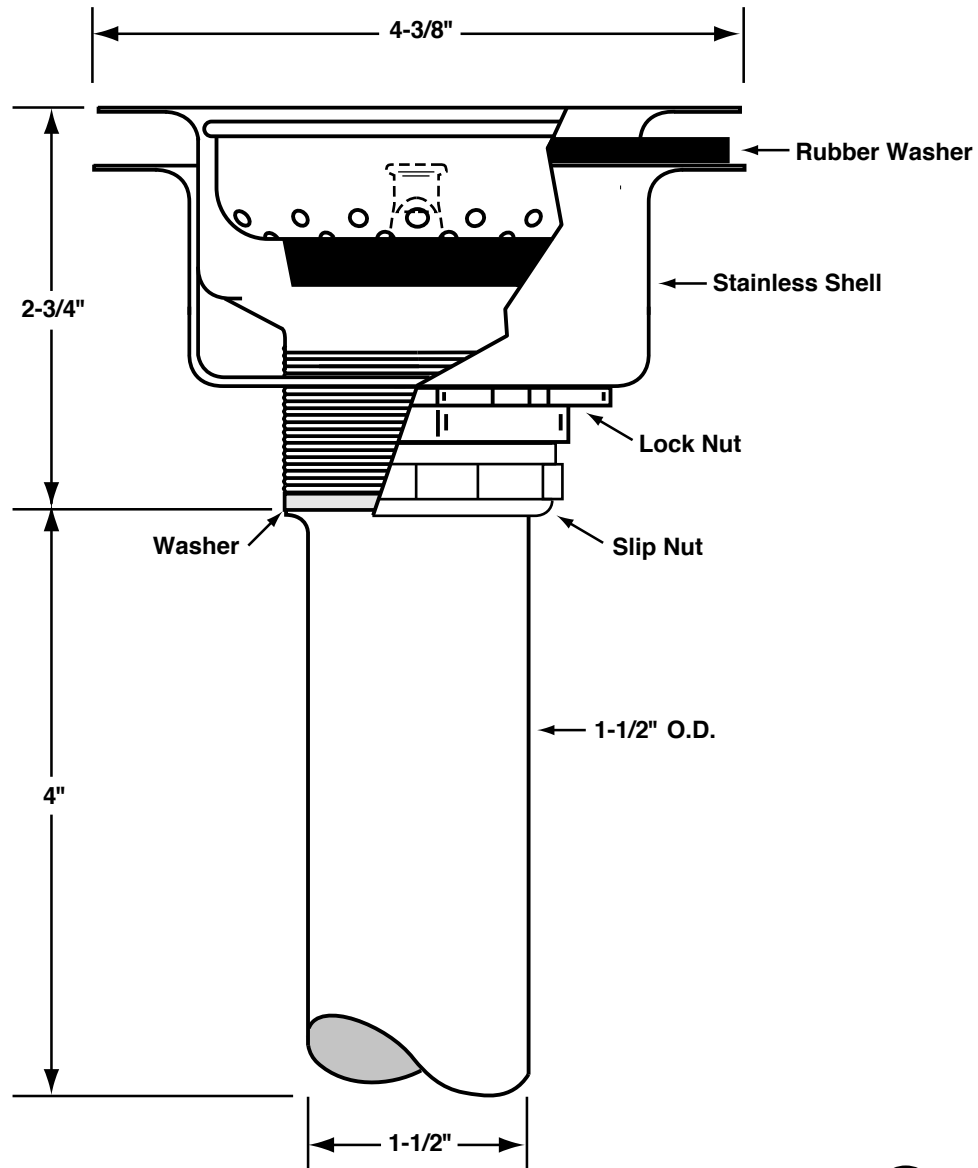
Part No.

151A

**Stainless Steel
Basket Strainer**

Job Name:

Submittal Number:



See options and accessories section for details on product variations.

Specifications:

Heavy Duty Forged Stainless Steel Basket Strainer with 1-1/2" x 4" seamless brass tailpiece, die cast slip and lock nuts. Basket Strainer shall be in compliance with CSA or other recognized testing authority and bear both manufacturer and testing mark.