



**McGuire Manufacturing Co., Inc.**

60 Grandview Court  
 P.O. Box 746 ♣Cheshire, CT 06410  
 203-699-1801 ♣ Fax: 203-699-1813  
 www.mcguiremfg.com

**Part No.**

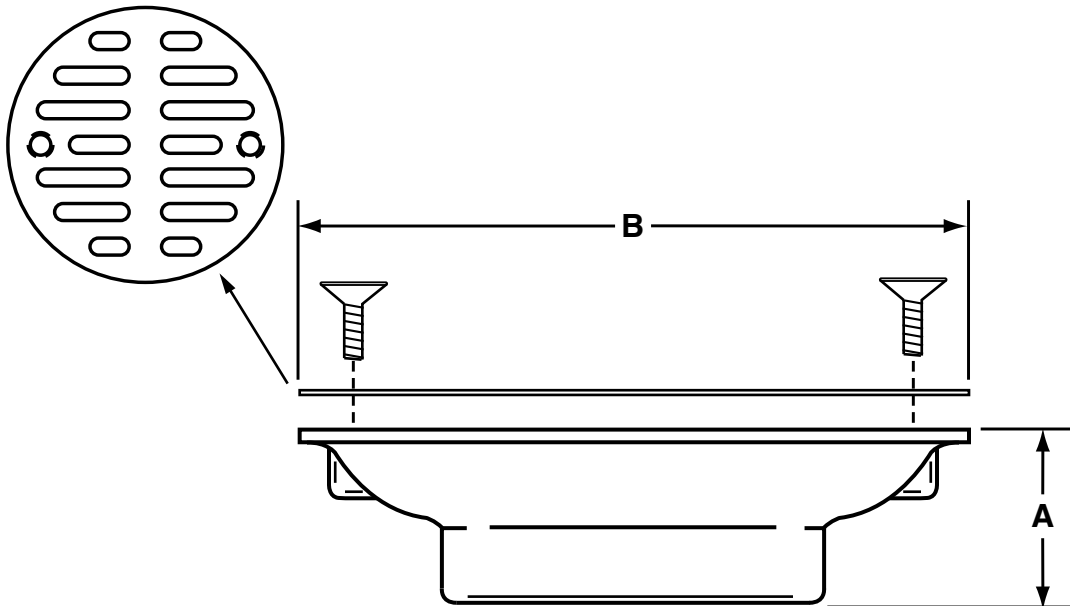
**1266, 1266A**

**Shower Stall Strainer**

**PRODUCT SPECIFICATION**

**Job Name:** \_\_\_\_\_

**Submittal Number:** \_\_\_\_\_



MODEL NO.	DESCRIPTION	A	B
1266	1-1/2" FIP Strainer	1"	3-1/2"
1266A	2" FIP Strainer	1"	3-1/2"

**Please Note:** Add suffix "V" to Part Number for vandal resistant screws.

See options and accessories section for details on product variations.

**Specifications:**

Heavy Cast Brass Body Shower Stall Strainer with stainless steel grid. Available with vandal resistant screws.