



McGuire Manufacturing Co., Inc.

60 Grandview Court
P.O. Box 746 ♣Cheshire, CT 06410
203-699-1801 ♣ Fax: 203-699-1813
www.mcguiremfg.com

PRODUCT SPECIFICATION

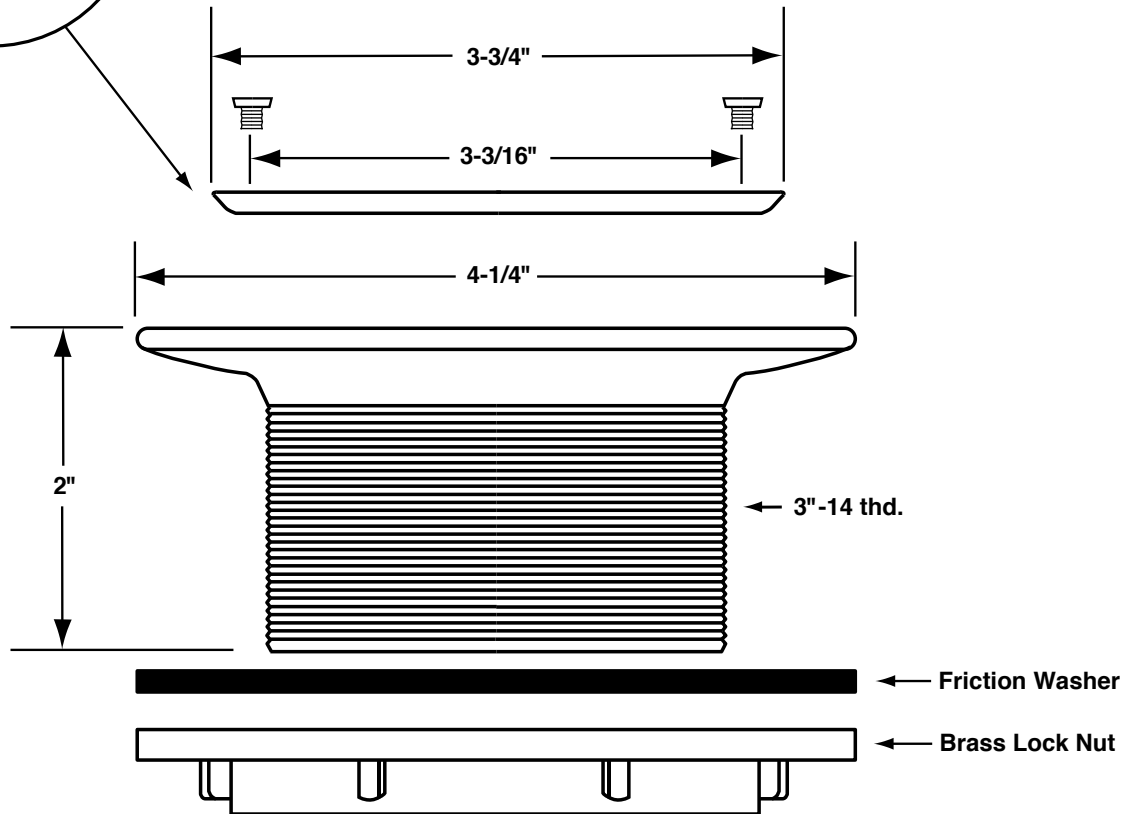
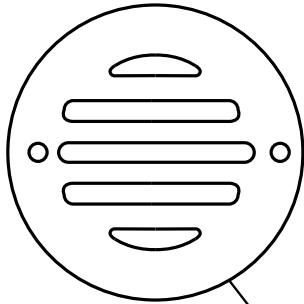
Part No.

1233

**Flat Grid Urinal Strainer
for 2 inch Caulk**

Job Name:

Submittal Number:



Please Note: Add suffix "V" to Part Number for vandal resistant screws.
See options and accessories section for details on product variations.

Specifications:

Heavy Cast Brass Beehive Urinal Strainer for 2" lead caulk, iron or soil pipe with cast brass locknut. Available with vandal resistant screws.