



**McGuire Manufacturing Co., Inc.**

60 Grandview Court  
 P.O. Box 746 ♣ Cheshire, CT 06410  
 203-699-1801 ♣ Fax: 203-699-1813  
 www.mcguiremfg.com

**PRODUCT SPECIFICATION**

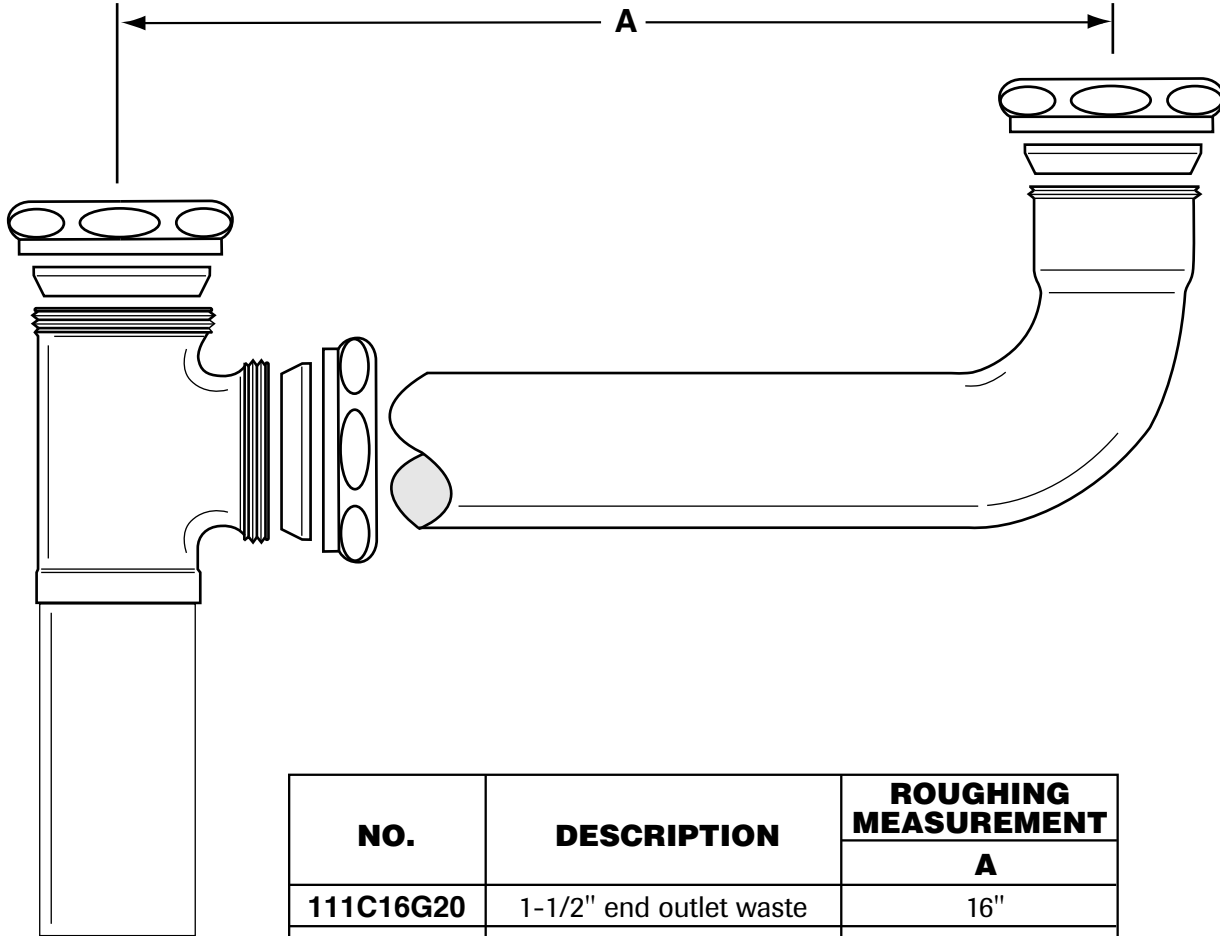
**Part No.**

111C16G20, 111C16G17, 111C21G20,  
 111C21G17, 111C25G20, 111C25G17

**End Outlet  
 Continuous Waste**

**Job Name:** \_\_\_\_\_

**Submittal Number:** \_\_\_\_\_



NO.	DESCRIPTION	ROUGHING MEASUREMENT
		A
111C16G20	1-1/2" end outlet waste	16"
111C16G17	1-1/2" end outlet waste	16"
111C21G20	1-1/2" end outlet waste	21"
111C21G17	1-1/2" end outlet waste	21"
111C25G20	1-1/2" end outlet waste	25"
111C25G17	1-1/2" end outlet waste	25"

See options and accessories section for details on product variations.

**Specifications:**

End Outlet Continuous Waste with satin plated cast brass tee, chrome plated (17 gauge or 20 gauge) seamless brass waste arm, brass tailpiece and cast brass nuts.